

# TIMKEN

## UC-SERIES TIMKEN® BALL BEARING HOUSED UNITS



Stronger. **By Design.**

## UC-SERIES TIMKEN® BALL BEARING HOUSED UNITS

|                      |   |
|----------------------|---|
| Introduction .....   | 3 |
| Housing Styles ..... | 4 |
| Nomenclature.....    | 5 |
| Features .....       | 6 |
| Installation .....   | 8 |

## HOUSED UNIT TABLES

|  |    |
|--|----|
| UCP Pillow Block Units .....           | 10 |
| UCF Four-Bolt Flanged Units .....      | 12 |
| UCFL Two-Bolt Flanged Units.....       | 14 |
| UCFC Piloted Round Flanged Units ..... | 16 |
| UCT Take-Up Units.....                 | 18 |
| UC Wide Inner Ring Ball Bearings ..... | 20 |



# TIMKEN® BALL BEARING HOUSED UNITS

## DESIGNED FOR OPTIMIZED PERFORMANCE

For more than 110 years, Timken innovations continue to keep the world in motion, including the invention of the wide inner ring bearing and the ball bearing housed unit. We continue that innovation by applying our extensive engineering knowledge of bearings, metallurgy, seals and end-user applications to deliver optimized performance from our housed unit product line.



Timken ball bearing housed units help improve efficiencies through:

### INCREASED EQUIPMENT UPTIME AND REDUCED MAINTENANCE COST

- Bearings with spherical outer rings and precision-machined cast-iron housings help prevent outer ring rotation.
- Bearings withstand static misalignment of the shaft of  $\pm 3$  degrees.
- Designed for normal operation between  $-20^{\circ}\text{C}$  and  $100^{\circ}\text{C}$ .
- Wide inner ring ball bearings deliver greater shaft support.
- High-strength housings are suited for most industrial applications.
- Bearings are prelubricated and ready for immediate installation.
- Timken knowledge and support come standard.

### ROBUST SEALING DESIGNED FOR THE MOST DEMANDING ENVIRONMENTS

- Precision sealing provides extended bearing life and reduced lubrication leakage.
- Bonded seal design includes a steel flinger for additional bearing protection.
- Effective grease retention and reduced debris and moisture ingress improve bearing performance.

### WIDE RANGE OF READY-TO-MOUNT UNITS

- Five different housing designs plus replacement inserts are offered in metric and imperial sizes.
- Set screw locking design allows for easy installation.
- Extensive range of sizes meets the needs of a wide range of applications.
- Interchangeable without modification in many applications.
- Local in-stock availability ensures the service levels you expect.

Timken supports your job sites with a team of service engineers available around the world. Their services help extend maintenance cycles and maximize uptime.

Timken is your single-source for friction management, with a full range of bearings and related accessories including greases, seals, tools, training, repair services and condition monitoring systems.

## HOUSING STYLES

Timken offers you the full range of standard series ball bearing housed units with a popular set screw locking mechanism in metric and imperial sizes:

### UCP PILLOW BLOCK UNITS

12 mm to 90 mm (1/2 in. to 3 1/2 in.)



### UCF FOUR-BOLT FLANGED UNITS

12 mm to 90 mm (1/2 in. to 3 1/2 in.)



### UCFL TWO-BOLT FLANGED UNITS

12 mm to 90 mm (1/2 in. to 3 1/2 in.)



### UCFC PILOTED ROUND FLANGED UNITS

12 mm to 90 mm (1/2 in. to 3 1/2 in.)



### UCT TAKE-UP UNITS

12 mm to 85 mm (1/2 in. to 3 1/4 in.)

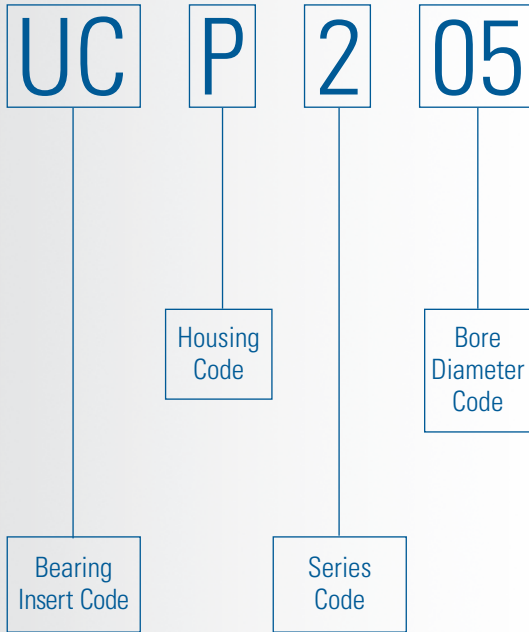


### UC WIDE INNER RING BALL BEARINGS

12 mm to 90 mm (1/2 in. to 3 1/2 in.)



# NOMENCLATURE



| BEARING INSERT CODE  | HOUSING CODE   | SERIES CODE                                    |
|--|--|--|
| <p><b>UC</b><br/>Cylindrical bore, spherical outer diameter, set screw locking mechanism</p> | <p><b>P</b><br/>Pillow block unit</p> <p><b>F</b><br/>Four-bolt flanged unit</p> <p><b>FL</b><br/>Two-bolt flanged unit</p> <p><b>T</b><br/>Take-up unit</p> <p><b>FC</b><br/>Piloted round flanged unit</p> | <p><b>2</b><br/>Standard industrial series</p> |

## CONFIGURATIONS TO MEET YOUR NEEDS

### BALL HOUSED UNITS

Standard series – wide inner ring, set screw locking mechanism

### HOUSING TYPES

Pillow block, two-bolt flange, four-bolt flange, piloted round flange and take-up

**METRIC BORE SIZES** 12 mm – 90 mm

**INCH BORE SIZES** ½ in. – 3½ in.

### BORE DIAMETER CODE METRIC

|              |   |
|--------------|---|
| 01           | Nominal bore diameter = 12 mm               |
| 02           | Nominal bore diameter = 15 mm               |
| 03           | Nominal bore diameter = 17 mm               |
| 04 or higher | Bore diameter (mm) = bore diameter code x 5 |

#### Example:

*UCF201 = 12 mm bore (Four-bolt flanged unit)*

*UCP211 = 55 mm bore (Pillow block unit)*

### BORE DIAMETER CODE IMPERIAL

|              |   |
|--------------|---|
| –8 or higher | Nominal bore diameter = bore diameter code/16 |
|--------------|---|

#### Example:

*UCF201-8 = 8/16 in. or 1/2 in. bore (Four-bolt flanged unit)*

*UCP205-16 = 16/16 in. or 1 in. bore (Pillow block unit)*

# FEATURES

## Precision formed flinger

Provides the first level of protection against contamination.

## High-performance seal

Bonded nitrile rubber seal with an engineered interface to the inner ring.

## Hardened and ground seal land

Helps protect against abrasive wear, extending seal life.

## Outer ring with spherical outside diameter

Engineered fit between bearing and housing to improve bearing life.

## Lubrication delivery system

Precision-machined lubrication groove and holes in the outer ring of the bearing.

## Engineered balls and cage

Steel cage provides effective ball guidance and high temperature service capability.

## Wide inner ring

Improved shaft support over narrow rings, improving bearing life and reducing misalignment.

## Set screw angle

120-degree angle minimizes inner ring distortion for smoother-running bearing.

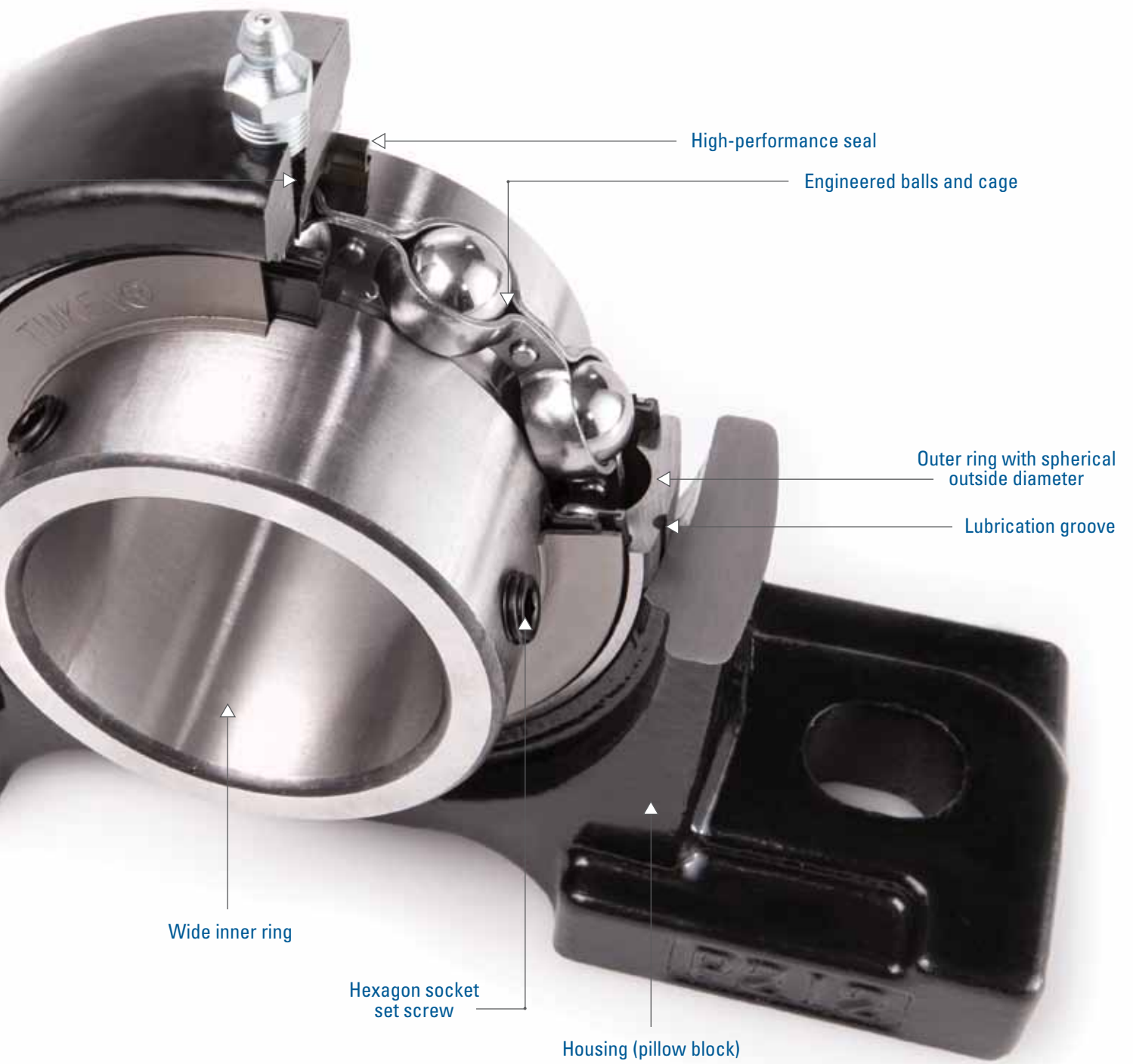
## Cast-iron housing

Incorporates ISO 185 Grade 200 (ASTM A48 Class No. 30) cast iron.

## Premium grease

Prelubricated with high-quality lithium-based grease, compatible with most industrial greases.





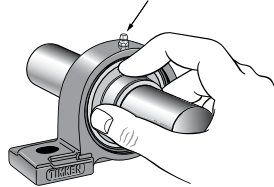
# INSTALLATION

Ball bearing housed units are available in a wide variety of sizes and housing styles to accommodate a complete range of operating conditions.

These units generally have cast-iron housings and are designed for mounting on straight shafts with a slip fit. The set screw locking mechanism provides ease in mounting.

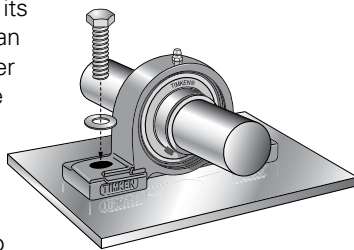
1. Ensure that the shaft is clean, free from burrs, straight and of proper diameter. The bearing should not be mounted on a worn section of the shaft. Using shafts with hardness greater than HRC 45 will reduce effectiveness of locking devices. See table 2 on page 9 for suggested shaft tolerances.

Grease fitting in lubrication hole

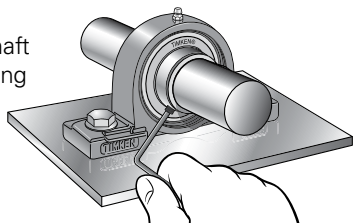


2. Install the supplied grease fitting into the threaded lubrication hole on the housing. Align the bearing in its housing and slide the unit into position on the shaft.

3. Bolt the housing tightly to its mounting supports using an appropriately sized fastener and suggested bolt torque (table 4 on page 9). Flat washers should be used when installing any kind of housed unit. Washers should be properly sized to bolt diameter.



4. Lock the bearing to the shaft by tightening each inner ring set screw incrementally to suggested torque levels (table 3 on page 9).



# RELUBRICATION

Timken ball bearing housed units are prelubricated. However, periodic relubrication is advisable in some applications for which these units are designed. Consult your equipment manufacturer's operating manual for the specific relubrication cycle. General guidelines are found in table 1.

## GENERAL RELUBRICATION SUGGESTIONS FOR GREASED BEARINGS <sup>(1)</sup>

TABLE 1

| CONDITION                   | RELUBRICATION INTERVAL   |
|-----------------------------|--------------------------|
| Indoor service              | Not required             |
| Outdoor service             | Two/three times per year |
| Severe outdoor exposure     | Once a month             |
| High contamination/washdown | Once a week              |

<sup>(1)</sup>As a guideline, relubricate until the first indication of grease is observed purging from the bearing.

### WARNING

**Failure to observe the following warnings could create a risk of death or serious injury.**

Proper maintenance and handling practices are critical. Always follow installation instructions and maintain proper lubrication.

Overheated bearings can ignite explosive atmospheres. Special care must be taken to properly select, install, maintain and lubricate housed unit bearings that are used in or near atmospheres that may contain explosive levels of combustible gases or accumulations of dust such as grain, coal, or other combustible materials. Consult your equipment designer or supplier for installation and maintenance instructions.

Do not use excessive force when mounting or dismounting the unit.

Follow all tolerance, fit and torque recommendations.

Always follow the Original Equipment Manufacturer's installation and maintenance guidelines.

Ensure proper alignment.

Never weld housed units.

Do not heat components with an open flame.

Do not operate at bearing temperatures above 121°C (250°F).

### CAUTION

**Failure to follow these cautions may result in property damage.**

If hammer and bar are used for installation or removal of a part, use a mild steel bar (e.g., 1010 or 1020 grade). Mild steel bars are less likely to cause release of high-speed fragments from the hammer or bar or the part being installed or removed.

Do not use damaged housed units.

FOR ADDITIONAL TIMKEN PRODUCT WARNINGS, VISIT [WWW.TIMKEN.COM/WARNINGS](http://WWW.TIMKEN.COM/WARNINGS).



## TECHNICAL DATA

The following tables provide useful installation details related to shaft tolerance and torque for set screws and bolts.

### SUGGESTED SHAFT TOLERANCE <sup>(1)</sup>

TABLE  
2

| SHAFT SIZE    |               | SHAFT TOLERANCE |                |
|---------------|---------------|-----------------|----------------|
| Over          | Incl.         | Min.            | Max.           |
| mm<br>in.     | mm<br>in.     | mm<br>in.       | mm<br>in.      |
| <b>12.000</b> | <b>18.000</b> | <b>0.000</b>    | <b>- 0.011</b> |
| 0.500         | 0.625         | 0.000           | - 0.0005       |
| <b>19.000</b> | <b>30.000</b> | <b>0.000</b>    | <b>- 0.013</b> |
| 0.750         | 1.000         | 0.000           | - 0.0005       |
| <b>31.000</b> | <b>50.000</b> | <b>0.000</b>    | <b>- 0.016</b> |
| 1.125         | 1.938         | 0.000           | - 0.0005       |
| <b>51.000</b> | <b>80.000</b> | <b>0.000</b>    | <b>- 0.019</b> |
| 2.000         | 3.125         | 0.000           | - 0.0010       |
| <b>81.000</b> | <b>90.000</b> | <b>0.000</b>    | <b>- 0.022</b> |
| 3.250         | 3.500         | 0.000           | - 0.0010       |

### SUGGESTED BOLT MOUNTING TORQUE

TABLE  
4

| BOLT SIZE  | TIGHTENING TORQUE |
|------------|-------------------|
| mm         | Nm                |
| <b>M10</b> | <b>12 – 21</b>    |
| <b>M12</b> | <b>21 – 37</b>    |
| <b>M14</b> | <b>34 – 60</b>    |
| <b>M16</b> | <b>53 – 93</b>    |
| <b>M20</b> | <b>104 – 186</b>  |
| <b>M22</b> | <b>143 – 256</b>  |
| in.        | ft. - lbs.        |
| 3/8        | 9.0 – 15.5        |
| 1/2        | 15.5 – 27.5       |
| 5/8        | 39.0 – 68.5       |
| 3/4        | 76.5 – 137.0      |
| 7/8        | 105.5 – 190.0     |

<sup>(1)</sup> These are for normal service; for heavy loads, high speeds or vertical shaft applications, consult your equipment manufacturer or your local Timken representative.

### SUGGESTED SET SCREW TIGHTENING TORQUE

TABLE  
3

| SET SCREW SIZE    | TIGHTENING TORQUE |
|-------------------|-------------------|
| mm                | Nm                |
| <b>M6 x 0.75</b>  | <b>4</b>          |
| <b>M8 x 1</b>     | <b>8.5</b>        |
| <b>M10 x 1.25</b> | <b>17.5</b>       |
| <b>M12 x 1.5</b>  | <b>28</b>         |
| in.               | in. - lbs.        |
| 1/4 – 28 UNF      | 35.4              |
| 5/16 – 24 UNF     | 75.2              |

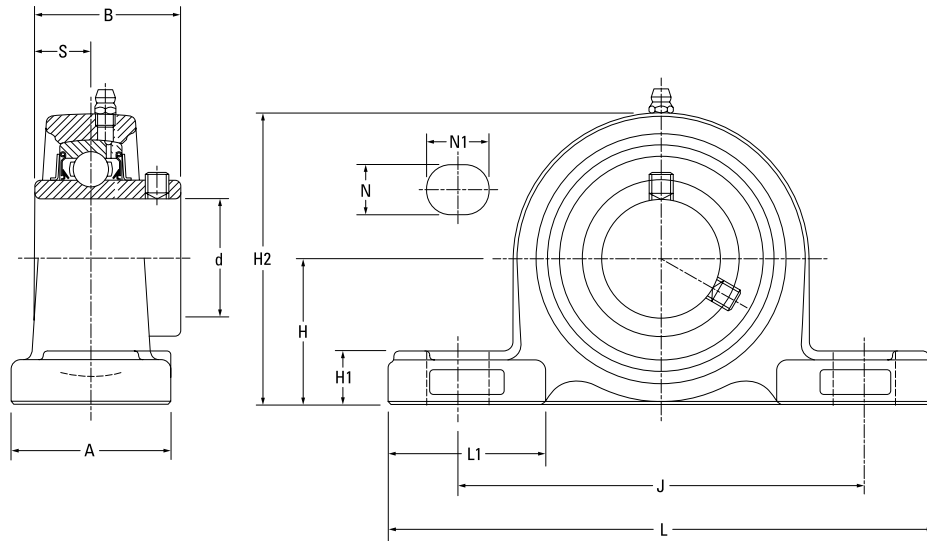
# CAST-IRON PILLOW BLOCK UNITS

## UCP INDUSTRIAL SERIES

- UCP pillow blocks are suggested for industrial applications where normal loads are encountered.
- Compact, one-piece housing with two-bolt mounting can be installed in any position and makes bearing replacement easy.
- These units use wide inner ring ball bearings with self-aligning spherical outside diameters that compensate for shaft misalignment.
- Bearing prelubricated and ready for immediate installation.
- Grease fitting supplied for relubrication.
- The bonded seal design is well-suited for applications involving wet or dirty environments.
- Bolt-hole spacing and base to center height dimensions are interchangeable with competitive units.

| Shaft Dia.<br>d |         | Pillow block Designation | Bearing Designation | Basic Load Ratings        |                           | Dimensions      |                |                 |             |             |                |                 |               |               |             | Bolt Size   | Weight     |            |
|-----------------|---------|--------------------------|---------------------|---------------------------|---------------------------|-----------------|----------------|-----------------|-------------|-------------|----------------|-----------------|---------------|---------------|-------------|-------------|------------|------------|
|                 |         |                          |                     | Dynamic<br>C <sub>r</sub> | Static<br>C <sub>0r</sub> | H               | L              | L1              | A           | H1          | J              | H2              | S             | B             | N           |             |            | N1         |
| mm              | in.     |                          |                     | kN<br>lbs.                | kN<br>lbs.                | mm<br>in.       | mm<br>in.      | mm<br>in.       | mm<br>in.   | mm<br>in.   | mm<br>in.      | mm<br>in.       | mm<br>in.     | mm<br>in.     | mm<br>in.   | mm<br>in.   | mm<br>in.  | kg<br>lbs. |
| 12              |         | UCP201                   | UC201               | 12.8<br>2878              | 6.65<br>1495              | 30.2<br>1 3/16  | 127<br>5       | 34.5<br>1 23/64 | 38<br>1 1/2 | 16<br>5/8   | 95<br>3 3/4    | 60<br>2 3/8     | 12.7<br>0.500 | 31<br>1.220   | 13<br>1/2   | 18<br>23/32 | M10<br>3/8 | 0.6<br>1.3 |
|                 | 1/2     | UCP201-8                 | UC201-8             |                           |                           |                 |                |                 |             |             |                |                 |               |               |             |             |            |            |
| 15              |         | UCP202                   | UC202               | 12.8<br>2878              | 6.65<br>1495              | 30.2<br>1 3/16  | 127<br>5       | 34.5<br>1 23/64 | 38<br>1 1/2 | 16<br>5/8   | 95<br>3 3/4    | 60<br>2 3/8     | 12.7<br>0.500 | 31<br>1.220   | 13<br>1/2   | 18<br>23/32 | M10<br>3/8 | 0.6<br>1.3 |
|                 | 5/8     | UCP202-10                | UC202-10            |                           |                           |                 |                |                 |             |             |                |                 |               |               |             |             |            |            |
| 17              |         | UCP203                   | UC203               | 12.8<br>2878              | 6.65<br>1495              | 33.3<br>1 3/16  | 127<br>5       | 34.5<br>1 23/64 | 38<br>1 1/2 | 16<br>5/8   | 95<br>3 3/4    | 64.3<br>2 17/32 | 12.7<br>0.500 | 31<br>1.220   | 13<br>1/2   | 18<br>23/32 | M10<br>3/8 | 0.7<br>1.5 |
|                 | 3/4     | UCP204-12                | UC204-12            |                           |                           |                 |                |                 |             |             |                |                 |               |               |             |             |            |            |
| 20              |         | UCP204                   | UC204               | 12.8<br>2878              | 6.65<br>1495              | 33.3<br>1 3/16  | 127<br>5       | 34.5<br>1 23/64 | 38<br>1 1/2 | 16<br>5/8   | 95<br>3 3/4    | 64.3<br>2 17/32 | 12.7<br>0.500 | 31<br>1.220   | 13<br>1/2   | 18<br>23/32 | M10<br>3/8 | 0.7<br>1.5 |
|                 | 7/8     | UCP205-14                | UC205-14            |                           |                           |                 |                |                 |             |             |                |                 |               |               |             |             |            |            |
|                 | 15/16   | UCP205-15                | UC205-15            | 14.0<br>3147              | 7.85<br>1765              | 36.5<br>1 7/16  | 140<br>5 1/2   | 37.5<br>1 31/64 | 38<br>1 1/2 | 16<br>5/8   | 105<br>4 1/8   | 70<br>2 49/64   | 14.3<br>0.563 | 34.1<br>1.343 | 13<br>1/2   | 18<br>23/32 | M10<br>3/8 | 0.8<br>1.8 |
| 25              |         | UCP205                   | UC205               |                           |                           |                 |                |                 |             |             |                |                 |               |               |             |             |            |            |
|                 | 1       | UCP205-16                | UC205-16            | 14.0<br>3147              | 7.85<br>1765              | 36.5<br>1 7/16  | 140<br>5 1/2   | 37.5<br>1 31/64 | 38<br>1 1/2 | 16<br>5/8   | 105<br>4 1/8   | 70<br>2 49/64   | 14.3<br>0.563 | 34.1<br>1.343 | 13<br>1/2   | 18<br>23/32 | M10<br>3/8 | 0.8<br>1.8 |
|                 | 1 1/8   | UCP206-18                | UC206-18            |                           |                           |                 |                |                 |             |             |                |                 |               |               |             |             |            |            |
| 30              |         | UCP206                   | UC206               | 19.5<br>4384              | 11.3<br>2540              | 42.9<br>1 11/16 | 165<br>6 1/2   | 47.5<br>1 55/64 | 48<br>1 7/8 | 17<br>21/32 | 121<br>4 3/4   | 84<br>3 5/16    | 15.9<br>0.626 | 38.1<br>1.500 | 17<br>21/32 | 21<br>13/16 | M14<br>1/2 | 1.3<br>2.9 |
|                 | 1 3/16  | UCP206-19                | UC206-19            |                           |                           |                 |                |                 |             |             |                |                 |               |               |             |             |            |            |
|                 | 1 1/4   | UCP206-20                | UC206-20            | 19.5<br>4384              | 11.3<br>2540              | 42.9<br>1 11/16 | 165<br>6 1/2   | 47.5<br>1 55/64 | 48<br>1 7/8 | 17<br>21/32 | 121<br>4 3/4   | 84<br>3 5/16    | 15.9<br>0.626 | 38.1<br>1.500 | 17<br>21/32 | 21<br>13/16 | M14<br>1/2 | 1.3<br>2.9 |
|                 | 1 1/4   | UCP207-20                | UC207-20            |                           |                           |                 |                |                 |             |             |                |                 |               |               |             |             |            |            |
|                 | 1 5/16  | UCP207-21                | UC207-21            | 25.7<br>5778              | 15.4<br>3462              | 47.6<br>1 7/8   | 167<br>6 9/16  | 46.5<br>1 53/64 | 48<br>1 7/8 | 18<br>23/32 | 127<br>5       | 94.6<br>3 23/32 | 17.5<br>0.689 | 42.9<br>1.689 | 17<br>21/32 | 21<br>13/16 | M14<br>1/2 | 1.6<br>3.5 |
|                 | 1 3/8   | UCP207-22                | UC207-22            |                           |                           |                 |                |                 |             |             |                |                 |               |               |             |             |            |            |
| 35              |         | UCP207                   | UC207               | 25.7<br>5778              | 15.4<br>3462              | 47.6<br>1 7/8   | 167<br>6 9/16  | 46.5<br>1 53/64 | 48<br>1 7/8 | 18<br>23/32 | 127<br>5       | 94.6<br>3 23/32 | 17.5<br>0.689 | 42.9<br>1.689 | 17<br>21/32 | 21<br>13/16 | M14<br>1/2 | 1.6<br>3.5 |
|                 | 1 7/16  | UCP207-23                | UC207-23            |                           |                           |                 |                |                 |             |             |                |                 |               |               |             |             |            |            |
|                 | 1 1/2   | UCP208-24                | UC208-24            | 29.1<br>6542              | 17.8<br>4002              | 49.2<br>1 15/16 | 184<br>7 1/4   | 53<br>2 3/32    | 54<br>2 1/8 | 18<br>23/32 | 137<br>5 13/32 | 98<br>3 27/32   | 19<br>0.748   | 49.2<br>1.937 | 17<br>21/32 | 21<br>13/16 | M14<br>1/2 | 2.0<br>4.4 |
|                 | 1 9/16  | UCP208-25                | UC208-25            |                           |                           |                 |                |                 |             |             |                |                 |               |               |             |             |            |            |
| 40              |         | UCP208                   | UC208               | 29.1<br>6542              | 17.8<br>4002              | 49.2<br>1 15/16 | 184<br>7 1/4   | 53<br>2 3/32    | 54<br>2 1/8 | 18<br>23/32 | 137<br>5 13/32 | 98<br>3 27/32   | 19<br>0.748   | 49.2<br>1.937 | 17<br>21/32 | 21<br>13/16 | M14<br>1/2 | 2.0<br>4.4 |
|                 | 1 5/8   | UCP209-26                | UC209-26            |                           |                           |                 |                |                 |             |             |                |                 |               |               |             |             |            |            |
|                 | 1 11/16 | UCP209-27                | UC209-27            | 34.1<br>7666              | 21.3<br>4788              | 54<br>2 1/8     | 190<br>7 15/32 | 55<br>2 5/32    | 54<br>2 1/8 | 20<br>25/32 | 146<br>5 3/4   | 106<br>4 3/16   | 19<br>0.748   | 49.2<br>1.937 | 17<br>21/32 | 21<br>13/16 | M14<br>1/2 | 2.2<br>4.9 |
|                 | 1 3/4   | UCP209-28                | UC209-28            |                           |                           |                 |                |                 |             |             |                |                 |               |               |             |             |            |            |
| 45              |         | UCP209                   | UC209               | 34.1<br>7666              | 21.3<br>4788              | 54<br>2 1/8     | 190<br>7 15/32 | 55<br>2 5/32    | 54<br>2 1/8 | 20<br>25/32 | 146<br>5 3/4   | 106<br>4 3/16   | 19<br>0.748   | 49.2<br>1.937 | 17<br>21/32 | 21<br>13/16 | M14<br>1/2 | 2.2<br>4.9 |

Continued on next page.



Continued from previous page.

| Shaft Dia.<br>d | Pillow block Designation | Bearing Designation | Basic Load Ratings        |                           | Dimensions    |                 |                 |               |               |                |                |               |               |              |               |            | Bolt Size    | Weight    |            |
|-----------------|--------------------------|---------------------|---------------------------|---------------------------|---------------|-----------------|-----------------|---------------|---------------|----------------|----------------|---------------|---------------|--------------|---------------|------------|--------------|-----------|------------|
|                 |                          |                     | Dynamic<br>C <sub>r</sub> | Static<br>C <sub>0r</sub> | H             | L               | L1              | A             | H1            | J              | H2             | S             | B             | N            | N1            |            |              |           |            |
| mm<br>in.       |                          |                     | kN<br>lbs.                | kN<br>lbs.                | mm<br>in.     | mm<br>in.       | mm<br>in.       | mm<br>in.     | mm<br>in.     | mm<br>in.      | mm<br>in.      | mm<br>in.     | mm<br>in.     | mm<br>in.    | mm<br>in.     | mm<br>in.  | mm<br>in.    | mm<br>in. | kg<br>lbs. |
| 50              | 1 7/8                    | UCP210-30           | 35.1<br>7891              | 23.3<br>5238              | 57.2<br>2 1/4 | 206<br>8 1/8    | 60<br>2 3/8     | 60<br>2 3/8   | 21<br>13/16   | 159<br>6 1/4   | 113<br>4 7/16  | 19<br>0.748   | 51.6<br>2.031 | 20<br>25/32  | 22<br>7/8     | M16<br>5/8 | 2.9<br>6.4   |           |            |
|                 | 1 15/16                  | UCP210-31           |                           |                           |               |                 |                 |               |               |                |                |               |               |              |               |            |              | UC210-31  |            |
|                 | 2                        | UCP210              |                           |                           |               |                 |                 |               |               |                |                |               |               |              |               |            |              | UC210     |            |
| 55              | 2                        | UCP210-32           | 43.4<br>9757              | 29.4<br>6609              | 63.5<br>2 1/2 | 219<br>8 5/8    | 64.5<br>2 35/64 | 60<br>2 3/8   | 23<br>29/32   | 171<br>6 23/32 | 125<br>4 29/32 | 22.2<br>0.874 | 55.6<br>2.189 | 20<br>25/32  | 22<br>7/8     | M16<br>5/8 | 3.6<br>7.9   |           |            |
|                 | 2                        | UCP211-32           |                           |                           |               |                 |                 |               |               |                |                |               |               |              |               |            |              | UC211-32  |            |
|                 | 2 1/8                    | UCP211-34           |                           |                           |               |                 |                 |               |               |                |                |               |               |              |               |            |              | UC211-34  |            |
| 60              | 2 3/16                   | UCP211-35           | 52.4<br>11780             | 36.2<br>8138              | 69.8<br>2 3/4 | 241<br>9 1/2    | 72.5<br>2 55/64 | 70<br>2 3/4   | 25<br>31/32   | 184<br>7 1/4   | 138<br>5 7/16  | 25.4<br>1.000 | 65.1<br>2.563 | 20<br>25/32  | 25<br>31/32   | M16<br>5/8 | 4.9<br>10.8  |           |            |
|                 | 2 7/16                   | UCP212-39           |                           |                           |               |                 |                 |               |               |                |                |               |               |              |               |            |              | UC212-39  |            |
|                 | 2 1/2                    | UCP212-36           |                           |                           |               |                 |                 |               |               |                |                |               |               |              |               |            |              | UC212-36  |            |
| 65              | 2 3/8                    | UCP212-38           | 57.2<br>12859             | 40.1<br>9015              | 76.2<br>3     | 265<br>10 7/16  | 78<br>3 1/16    | 70<br>2 3/4   | 27<br>1 1/16  | 203<br>8       | 150<br>5 29/32 | 25.4<br>1.000 | 65.1<br>2.563 | 35<br>31/32  | 30<br>1 3/16  | M20<br>3/4 | 5.9<br>13.0  |           |            |
|                 | 2 7/8                    | UCP213              |                           |                           |               |                 |                 |               |               |                |                |               |               |              |               |            |              | UC213     |            |
|                 | 3                        | UCP214-44           |                           |                           |               |                 |                 |               |               |                |                |               |               |              |               |            |              | UC214-44  |            |
| 70              | 2 15/16                  | UCP214-44           | 62.2<br>13983             | 44.1<br>9914              | 79.4<br>3 1/8 | 266<br>10 15/32 | 75<br>2 61/64   | 72<br>2 27/32 | 27<br>1 1/16  | 210<br>8 9/32  | 156<br>6 5/32  | 30.2<br>1.189 | 74.6<br>2.937 | 25<br>31/32  | 30<br>1 3/16  | M20<br>3/4 | 6.8<br>15.0  |           |            |
|                 | 3                        | UCP215-47           |                           |                           |               |                 |                 |               |               |                |                |               |               |              |               |            |              | UC215-47  |            |
|                 | 3 1/8                    | UCP215              |                           |                           |               |                 |                 |               |               |                |                |               |               |              |               |            |              | UC215     |            |
| 75              | 3                        | UCP215-48           | 67.4<br>15152             | 48.3<br>10858             | 82.6<br>3 1/4 | 275<br>10 13/16 | 77.5<br>3 3/64  | 74<br>2 29/32 | 28<br>1 7/64  | 217<br>8 17/32 | 162<br>6 3/8   | 33.3<br>1.311 | 77.8<br>3.063 | 25<br>31/32  | 30<br>1 3/16  | M20<br>3/4 | 7.4<br>16.3  |           |            |
|                 | 3 1/8                    | UCP216-50           |                           |                           |               |                 |                 |               |               |                |                |               |               |              |               |            |              | UC216-50  |            |
|                 | 3 1/4                    | UCP217-52           |                           |                           |               |                 |                 |               |               |                |                |               |               |              |               |            |              | UC217-52  |            |
| 80              | 3 1/2                    | UCP218-56           | 72.7<br>16344             | 53.0<br>11915             | 88.9<br>3 1/2 | 292<br>11 1/2   | 83<br>3 17/64   | 78<br>3 1/16  | 30<br>1 3/16  | 232<br>9 1/8   | 174<br>6 27/32 | 33.3<br>1.311 | 82.6<br>3.252 | 25<br>31/32  | 35<br>1 3/8   | M20<br>3/4 | 9.0<br>19.8  |           |            |
|                 | 3 3/4                    | UCP216              |                           |                           |               |                 |                 |               |               |                |                |               |               |              |               |            |              | UC216     |            |
| 85              | 3 1/2                    | UCP217-52           | 84.0<br>18884             | 61.9<br>13916             | 95.2<br>3 3/4 | 310<br>12 7/32  | 87<br>3 27/64   | 83<br>3 9/32  | 32<br>1 1/4   | 247<br>9 23/32 | 185<br>7 9/32  | 34.1<br>1.343 | 85.7<br>3.374 | 25<br>31/32  | 40<br>1 9/16  | M20<br>3/4 | 10.8<br>23.8 |           |            |
|                 | 3 1/2                    | UCP217              |                           |                           |               |                 |                 |               |               |                |                |               |               |              |               |            |              | UC217     |            |
| 90              | 3 1/2                    | UCP218-56           | 96.1<br>21604             | 71.5<br>16074             | 101.6<br>4    | 327<br>12 7/8   | 94<br>3 45/64   | 88<br>3 15/32 | 33<br>1 19/64 | 262<br>10 9/16 | 198<br>7 25/32 | 39.7<br>1.563 | 96<br>3.780   | 27<br>1 1/16 | 45<br>1 25/32 | M22<br>7/8 | 13.9<br>30.6 |           |            |
|                 | 3 1/2                    | UCP218              |                           |                           |               |                 |                 |               |               |                |                |               |               |              |               |            |              | UC218     |            |

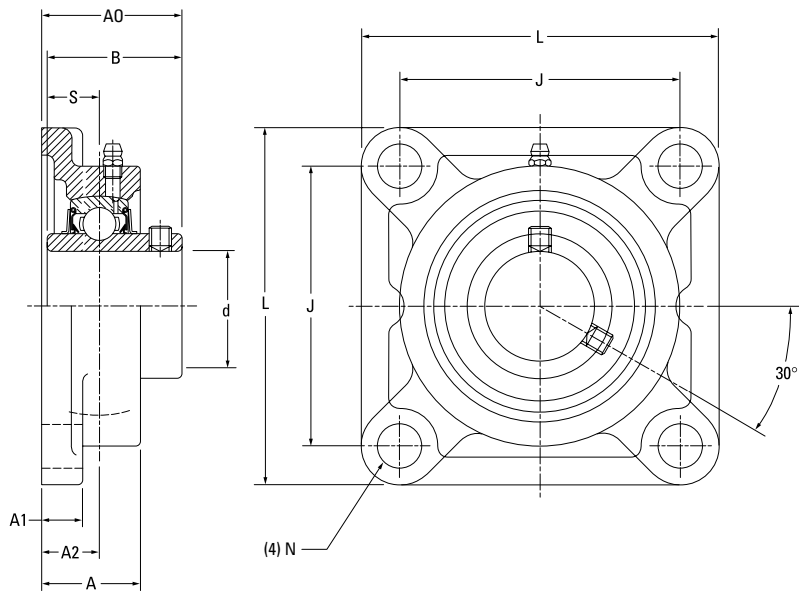
# CAST-IRON FOUR-BOLT FLANGED UNITS

## UCF INDUSTRIAL SERIES

- UCF four-bolt flanged units are suggested for industrial applications where normal loads are encountered.
- Each unit comes assembled and ready for mounting, using bolts through the flange.
- These units use wide inner ring ball bearings with self-aligning spherical outside diameters that compensate for shaft misalignment.
- Bolt-hole spacing dimensions and shaft center location are interchangeable with competitive units.
- Timken UCF-series set screw flanged units feature the Timken UC bearing insert.
- Bearing prelubricated and ready for immediate installation.
- Grease fitting supplied for relubrication.
- The bonded seal design is well-suited for applications involving wet or dirty environments.
- Housing designed for ease of bearing replacement.

| Shaft Dia.<br>d |         | Four-Bolt Flange Designation | Bearing Designation | Basic Load Ratings        |                           | Dimensions     |               |             |               |                 |               |               |             |             | Bolt Size   | Weight     |
|-----------------|---------|------------------------------|---------------------|---------------------------|---------------------------|----------------|---------------|-------------|---------------|-----------------|---------------|---------------|-------------|-------------|-------------|------------|
|                 |         |                              |                     | Dynamic<br>C <sub>r</sub> | Static<br>C <sub>0r</sub> | L              | J             | A1          | A             | A0              | S             | B             | A2          | N           |             |            |
| mm              | in.     |                              |                     | kN<br>lbs.                | kN<br>lbs.                | mm<br>in.      | mm<br>in.     | mm<br>in.   | mm<br>in.     | mm<br>in.       | mm<br>in.     | mm<br>in.     | mm<br>in.   | mm<br>in.   | mm<br>in.   | kg<br>lbs. |
| 12              |         | UCF201                       | UC201               | 12.8<br>2878              | 6.65<br>1495              | 86<br>3 3/8    | 64<br>2 33/64 | 11<br>7/16  | 25.5<br>1     | 33.3<br>1 5/16  | 12.7<br>0.500 | 31<br>1.220   | 15<br>19/32 | 12<br>15/32 | M10<br>3/8  | 0.6<br>1.4 |
|                 | 1/2     | UCF201-8                     | UC201-8             |                           |                           |                |               |             |               |                 |               |               |             |             |             |            |
| 15              |         | UCF202                       | UC202               |                           |                           |                |               |             |               |                 |               |               |             |             |             |            |
|                 | 5/8     | UCF202-10                    | UC202-10            |                           |                           |                |               |             |               |                 |               |               |             |             |             |            |
| 17              |         | UCF203                       | UC203               | 14.0<br>3147              | 7.85<br>1765              | 95<br>3 3/4    | 70<br>2 3/4   | 13<br>1/2   | 27<br>1 1/16  | 35.8<br>1 13/32 | 14.3<br>0.563 | 34.1<br>1.343 | 16<br>5/8   | 12<br>15/32 | M10<br>3/8  | 0.8<br>1.8 |
|                 | 3/4     | UCF-204-12                   | UC204-12            |                           |                           |                |               |             |               |                 |               |               |             |             |             |            |
| 20              |         | UCF-204                      | UC204               |                           |                           |                |               |             |               |                 |               |               |             |             |             |            |
|                 | 7/8     | UCF205-14                    | UC205-14            |                           |                           |                |               |             |               |                 |               |               |             |             |             |            |
|                 | 15/16   | UCF205-15                    | UC205-15            |                           |                           |                |               |             |               |                 |               |               |             |             |             |            |
| 25              |         | UCF205                       | UC205               | 19.5<br>4384              | 11.3<br>2540              | 108<br>4 1/4   | 83<br>3 17/64 | 13<br>1/2   | 31<br>1 7/32  | 40.2<br>1 19/32 | 15.9<br>0.626 | 38.1<br>1.500 | 18<br>45/64 | 12<br>15/32 | M10<br>3/8  | 1.2<br>2.6 |
|                 | 1       | UCF205-16                    | UC205-16            |                           |                           |                |               |             |               |                 |               |               |             |             |             |            |
|                 | 1 1/8   | UCF206-18                    | UC206-18            |                           |                           |                |               |             |               |                 |               |               |             |             |             |            |
| 30              |         | UCF206                       | UC206               | 25.7<br>5778              | 15.4<br>3462              | 117<br>4 19/32 | 92<br>3 5/8   | 15<br>19/32 | 34<br>1 11/32 | 44.4<br>1 3/4   | 17.5<br>0.689 | 42.9<br>1.689 | 19<br>3/4   | 14<br>35/64 | M12<br>7/16 | 1.5<br>3.3 |
|                 | 1 3/16  | UCF206-19                    | UC206-19            |                           |                           |                |               |             |               |                 |               |               |             |             |             |            |
|                 | 1 1/4   | UCF206-20                    | UC206-20            |                           |                           |                |               |             |               |                 |               |               |             |             |             |            |
|                 | 1 1/4   | UCF207-20                    | UC207-20            |                           |                           |                |               |             |               |                 |               |               |             |             |             |            |
|                 | 1 5/16  | UCF207-21                    | UC207-21            |                           |                           |                |               |             |               |                 |               |               |             |             |             |            |
|                 | 1 3/8   | UCF207-22                    | UC207-22            |                           |                           |                |               |             |               |                 |               |               |             |             |             |            |
| 35              |         | UCF207                       | UC207               | 29.1<br>6542              | 17.8<br>4002              | 130<br>5 1/8   | 102<br>4 1/64 | 15<br>19/32 | 36<br>1 13/32 | 51.2<br>2 1/32  | 19<br>0.748   | 49.2<br>1.937 | 21<br>53/64 | 16<br>5/8   | M14<br>1/2  | 1.9<br>4.2 |
|                 | 1 7/16  | UCF207-23                    | UC207-23            |                           |                           |                |               |             |               |                 |               |               |             |             |             |            |
|                 | 1 1/2   | UCF208-24                    | UC208-24            |                           |                           |                |               |             |               |                 |               |               |             |             |             |            |
|                 | 1 9/16  | UCF208-25                    | UC208-25            |                           |                           |                |               |             |               |                 |               |               |             |             |             |            |
| 40              |         | UCF208                       | UC208               | 34.1<br>7666              | 21.3<br>4788              | 137<br>5 13/32 | 105<br>4 9/64 | 16<br>5/8   | 38<br>1 1/2   | 52.2<br>2 1/16  | 19<br>0.748   | 49.2<br>1.937 | 22<br>55/64 | 16<br>5/8   | M14<br>1/2  | 2.2<br>4.9 |
|                 | 1 5/8   | UCF209-26                    | UC209-26            |                           |                           |                |               |             |               |                 |               |               |             |             |             |            |
|                 | 1 11/16 | UCF209-27                    | UC209-27            |                           |                           |                |               |             |               |                 |               |               |             |             |             |            |
|                 | 1 3/4   | UCF209-28                    | UC209-28            |                           |                           |                |               |             |               |                 |               |               |             |             |             |            |
| 45              |         | UCF209                       | UC209               |                           |                           |                |               |             |               |                 |               |               |             |             |             |            |

Continued on next page.



Continued from previous page.

| Shaft Dia.<br>d |         | Four-Bolt<br>Flange<br>Designation | Bearing<br>Designation | Basic Load Ratings        |                           | Dimensions     |                |             |               |                 |               |                |               |             | Bolt<br>Size | Weight       |
|-----------------|---------|------------------------------------|------------------------|---------------------------|---------------------------|----------------|----------------|-------------|---------------|-----------------|---------------|----------------|---------------|-------------|--------------|--------------|
|                 |         |                                    |                        | Dynamic<br>C <sub>r</sub> | Static<br>C <sub>0r</sub> | L              | J              | A1          | A             | A0              | S             | B              | A2            | N           |              |              |
| mm              | in.     |                                    |                        | kN<br>lbs.                | kN<br>lbs.                | mm<br>in.      | mm<br>in.      | mm<br>in.   | mm<br>in.     | mm<br>in.       | mm<br>in.     | mm<br>in.      | mm<br>in.     | mm<br>in.   | mm<br>in.    | kg<br>lbs.   |
| 50              | 1 7/8   | UCF210-30                          | UC210-30               | 35.1<br>7891              | 23.3<br>5238              | 143<br>5 5/8   | 111<br>4 3/8   | 16<br>5/8   | 40<br>1 9/16  | 54.6<br>2 5/32  | 19<br>0.748   | 51.6<br>2.031  | 22<br>55/64   | 16<br>5/8   | M14<br>1/2   | 2.5<br>5.5   |
|                 | 1 15/16 | UCF210-31                          | UC210-31               |                           |                           |                |                |             |               |                 |               |                |               |             |              |              |
|                 | 2       | UCF210                             | UC210                  |                           |                           |                |                |             |               |                 |               |                |               |             |              |              |
| 55              | 2       | UCF210-32                          | UC210-32               | 43.4<br>9757              | 29.4<br>6609              | 162<br>6 3/8   | 130<br>5 1/8   | 18<br>23/32 | 43<br>1 11/16 | 58.4<br>2 5/16  | 22.2<br>0.874 | 55.6<br>2.189  | 25<br>63/64   | 19<br>3/4   | M16<br>5/8   | 3.4<br>7.5   |
|                 | 2       | UCF211-32                          | UC211-32               |                           |                           |                |                |             |               |                 |               |                |               |             |              |              |
|                 | 2 1/8   | UCF211-34                          | UC211-34               |                           |                           |                |                |             |               |                 |               |                |               |             |              |              |
| 60              | 2 3/16  | UCF211-35                          | UC211-35               | 52.4<br>11780             | 36.2<br>8138              | 175<br>6 7/8   | 143<br>5 5/8   | 18<br>23/32 | 48<br>1 7/8   | 68.7<br>2 23/32 | 25.4<br>1.000 | 65.1<br>2.563  | 29<br>1 9/64  | 19<br>3/4   | M16<br>5/8   | 4.2<br>9.3   |
|                 | 2 1/4   | UCF212-36                          | UC212-36               |                           |                           |                |                |             |               |                 |               |                |               |             |              |              |
|                 | 2 3/8   | UCF212-38                          | UC212-38               |                           |                           |                |                |             |               |                 |               |                |               |             |              |              |
| 65              | 2 7/16  | UCF212-39                          | UC212-39               | 57.2<br>12859             | 40.1<br>9015              | 187<br>7 3/8   | 149<br>5 55/64 | 22<br>7/8   | 50<br>1 31/32 | 69.7<br>2 3/4   | 25.4<br>1.000 | 65.1<br>2.563  | 30<br>1 3/16  | 19<br>3/4   | M16<br>5/8   | 5.2<br>11.5  |
|                 | 2 1/2   | UCF213-40                          | UC213-40               |                           |                           |                |                |             |               |                 |               |                |               |             |              |              |
|                 | 2 3/4   | UCF214-44                          | UC214-44               |                           |                           |                |                |             |               |                 |               |                |               |             |              |              |
| 70              | 2 7/8   | UCF214                             | UC214                  | 62.2<br>13983             | 44.1<br>9914              | 193<br>7 19/32 | 152<br>5 63/64 | 22<br>7/8   | 54<br>2 1/8   | 75.4<br>2 31/32 | 30.2<br>1.189 | 74.6<br>2.937  | 31<br>1 7/32  | 19<br>3/4   | M16<br>5/8   | 5.9<br>13.0  |
|                 | 2 3/4   | UCF215                             | UC215                  |                           |                           |                |                |             |               |                 |               |                |               |             |              |              |
|                 | 2 15/16 | UCF215-47                          | UC215-47               |                           |                           |                |                |             |               |                 |               |                |               |             |              |              |
| 75              | 3       | UCF215-48                          | UC215-48               | 67.4<br>15152             | 48.3<br>10858             | 200<br>7 7/8   | 159<br>6 17/64 | 22<br>7/8   | 56<br>2 7/32  | 78.5<br>3 3/32  | 33.3<br>1.311 | 77.8<br>3.0603 | 34<br>1 11/32 | 19<br>3/4   | M16<br>5/8   | 6.4<br>14.1  |
|                 | 3 1/8   | UCF216-50                          | UC216-50               |                           |                           |                |                |             |               |                 |               |                |               |             |              |              |
|                 | 3 1/4   | UCF216                             | UC216                  |                           |                           |                |                |             |               |                 |               |                |               |             |              |              |
| 80              | 3 1/4   | UCF217-52                          | UC217-52               | 72.7<br>16344             | 53.0<br>11915             | 208<br>8 3/16  | 165<br>6 1/2   | 22<br>7/8   | 58<br>2 9/32  | 83.3<br>3 9/32  | 33.3<br>1.311 | 82.6<br>3.252  | 34<br>1 11/32 | 23<br>29/32 | M20<br>3/4   | 7.3<br>16.1  |
|                 | 3 1/2   | UCF217                             | UC217                  |                           |                           |                |                |             |               |                 |               |                |               |             |              |              |
|                 | 3 3/4   | UCF217-52                          | UC217-52               |                           |                           |                |                |             |               |                 |               |                |               |             |              |              |
| 85              | 3 1/2   | UCF218-56                          | UC218-56               | 84.0<br>18884             | 61.9<br>13916             | 220<br>8 21/32 | 175<br>6 57/64 | 24<br>15/16 | 63<br>2 15/32 | 87.6<br>3 7/16  | 34.1<br>1.343 | 85.7<br>3.374  | 36<br>1 13/32 | 23<br>29/32 | M20<br>3/4   | 8.9<br>19.6  |
|                 | 3 3/4   | UCF218                             | UC218                  |                           |                           |                |                |             |               |                 |               |                |               |             |              |              |
|                 | 3 1/2   | UCF218-56                          | UC218-56               |                           |                           |                |                |             |               |                 |               |                |               |             |              |              |
| 90              | 3 1/2   | UCF218                             | UC218                  | 96.1<br>21604             | 71.5<br>16074             | 235<br>9 1/4   | 187<br>7 23/64 | 25<br>31/32 | 68<br>2 11/16 | 96.3<br>3 25/32 | 39.7<br>1.563 | 96<br>3.780    | 40<br>1 9/16  | 23<br>29/32 | M20<br>3/4   | 11.4<br>25.1 |

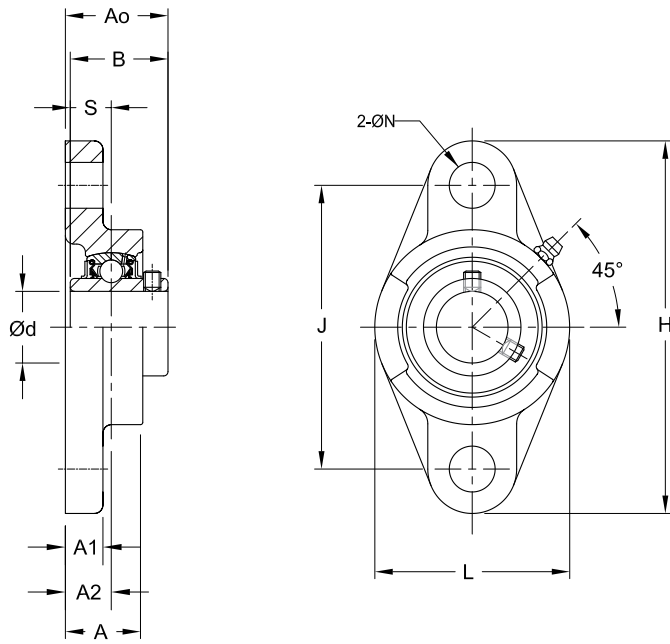
# CAST-IRON TWO-BOLT FLANGED UNITS

## UCFL INDUSTRIAL SERIES

- UCFL two-bolt flanged units are suggested for industrial applications where normal loads are encountered.
- This series is primarily designed for applications where the mounting area is restricted.
- Each unit comes assembled and ready for mounting, using bolts through the flange.
- These units use wide inner ring ball bearings with self-aligning spherical outside diameters that compensate for shaft misalignment.
- Bolt-hole spacing dimensions and shaft center location are interchangeable with competitive units.
- Timken UCFL-series set screw flanged units feature the Timken UC bearing insert.
- Bearing prelubricated and ready for immediate installation.
- Grease fitting supplied for relubrication.
- The bonded seal design is well-suited for applications involving wet or dirty environments.
- Housing designed for ease of bearing replacement.

| Shaft Dia.<br>d |         | Two-Bolt Flange Designation | Bearing Designation | Basic Load Ratings        |                           | Dimensions     |                |             |               |                 |                |             |               |               |             | Bolt Size  | Weight     |
|-----------------|---------|-----------------------------|---------------------|---------------------------|---------------------------|----------------|----------------|-------------|---------------|-----------------|----------------|-------------|---------------|---------------|-------------|------------|------------|
|                 |         |                             |                     | Dynamic<br>C <sub>r</sub> | Static<br>C <sub>0r</sub> | H              | J              | A1          | A             | A0              | L              | A2          | S             | B             | N           |            |            |
| mm              | in.     |                             |                     | kN lbs.                   | kN lbs.                   | mm in.         | mm in.         | mm in.      | mm in.        | mm in.          | mm in.         | mm in.      | mm in.        | mm in.        | mm in.      | mm in.     | kg lbs.    |
| 12              |         | UCFL201                     | UC201               | 12.8<br>2878              | 6.65<br>1495              | 113<br>4 7/16  | 90<br>3 35/64  | 11<br>7/16  | 25.5<br>1     | 33.3<br>1 5/16  | 60<br>2 3/8    | 15<br>19/32 | 12.7<br>0.500 | 31<br>1.220   | 12<br>15/32 | M10<br>3/8 | 0.5<br>1.1 |
|                 | 1/2     | UCFL201-8                   | UC201-8             |                           |                           |                |                |             |               |                 |                |             |               |               |             |            |            |
| 15              |         | UCFL202                     | UC202               |                           |                           |                |                |             |               |                 |                |             |               |               |             |            |            |
|                 | 5/8     | UCFL202-10                  | UC202-10            |                           |                           |                |                |             |               |                 |                |             |               |               |             |            |            |
| 17              |         | UCFL203                     | UC203               | 14.0<br>3147              | 7.85<br>1765              | 130<br>5 1/8   | 99<br>3 57/64  | 13<br>1/2   | 27<br>1 1/16  | 35.8<br>1 13/32 | 68<br>2 11/16  | 16<br>5/8   | 14.3<br>0.563 | 34.1<br>1.343 | 16<br>5/8   | M14<br>1/2 | 0.6<br>1.4 |
|                 | 3/4     | UCFL204-12                  | UC204-12            |                           |                           |                |                |             |               |                 |                |             |               |               |             |            |            |
| 20              |         | UCFL204                     | UC204               |                           |                           |                |                |             |               |                 |                |             |               |               |             |            |            |
|                 | 7/8     | UCFL205-14                  | UC205-14            |                           |                           |                |                |             |               |                 |                |             |               |               |             |            |            |
|                 | 15/16   | UCFL205-15                  | UC205-15            |                           |                           |                |                |             |               |                 |                |             |               |               |             |            |            |
| 25              |         | UCFL205                     | UC205               | 19.5<br>4384              | 11.3<br>2540              | 148<br>5 13/16 | 117<br>4 39/64 | 13<br>1/2   | 31<br>1 7/32  | 40.2<br>1 19/32 | 80<br>3 5/32   | 18<br>45/64 | 15.9<br>0.626 | 38.1<br>1.500 | 16<br>5/8   | M14<br>1/2 | 1.0<br>2.1 |
|                 | 1       | UCFL205-16                  | UC205-16            |                           |                           |                |                |             |               |                 |                |             |               |               |             |            |            |
|                 | 1 1/8   | UCFL206-18                  | UC206-18            |                           |                           |                |                |             |               |                 |                |             |               |               |             |            |            |
| 30              |         | UCFL206                     | UC206               | 25.7<br>5778              | 15.4<br>3462              | 161<br>6 11/32 | 130<br>5 1/8   | 14<br>9/16  | 34<br>1 11/32 | 44.4<br>1 3/4   | 90<br>3 17/32  | 19<br>3/4   | 17.5<br>0.689 | 42.9<br>1.689 | 16<br>5/8   | M14<br>1/2 | 1.2<br>2.6 |
|                 | 1 3/16  | UCFL206-19                  | UC206-19            |                           |                           |                |                |             |               |                 |                |             |               |               |             |            |            |
|                 | 1 1/4   | UCFL206-20                  | UC206-20            |                           |                           |                |                |             |               |                 |                |             |               |               |             |            |            |
|                 | 1 1/4   | UCFL207-20                  | UC207-20            |                           |                           |                |                |             |               |                 |                |             |               |               |             |            |            |
|                 | 1 5/16  | UCFL207-21                  | UC207-21            |                           |                           |                |                |             |               |                 |                |             |               |               |             |            |            |
|                 | 1 3/8   | UCFL207-22                  | UC207-22            |                           |                           |                |                |             |               |                 |                |             |               |               |             |            |            |
| 35              |         | UCFL207                     | UC207               | 29.1<br>6542              | 17.8<br>4002              | 175<br>6 3/8   | 144<br>5 43/64 | 14<br>9/16  | 36<br>1 13/32 | 51.2<br>2 1/32  | 100<br>3 15/16 | 21<br>53/64 | 19<br>0.748   | 49.2<br>1.937 | 16<br>5/8   | M14<br>1/2 | 1.6<br>3.5 |
|                 | 1 7/16  | UCFL207-23                  | UC207-23            |                           |                           |                |                |             |               |                 |                |             |               |               |             |            |            |
|                 | 1 1/2   | UCFL208-24                  | UC208-24            |                           |                           |                |                |             |               |                 |                |             |               |               |             |            |            |
|                 | 1 9/16  | UCFL208-25                  | UC208-25            |                           |                           |                |                |             |               |                 |                |             |               |               |             |            |            |
| 40              |         | UCFL208                     | UC208               | 34.1<br>7666              | 21.3<br>4788              | 188<br>7 13/32 | 148<br>5 53/64 | 15<br>19/32 | 38<br>1 1/2   | 52.2<br>2 1/16  | 108<br>4 1/4   | 22<br>55/64 | 19<br>0.748   | 49.2<br>1.937 | 19<br>3/4   | M16<br>5/8 | 1.9<br>4.2 |
|                 | 1 5/8   | UCFL209-26                  | UC209-26            |                           |                           |                |                |             |               |                 |                |             |               |               |             |            |            |
|                 | 1 11/16 | UCFL209-27                  | UC209-27            |                           |                           |                |                |             |               |                 |                |             |               |               |             |            |            |
|                 | 1 3/4   | UCFL209-28                  | UC209-28            |                           |                           |                |                |             |               |                 |                |             |               |               |             |            |            |
| 45              |         | UCFL209                     | UC209               |                           |                           |                |                |             |               |                 |                |             |               |               |             |            |            |

Continued on next page.



Continued from previous page.

| Shaft Dia.<br>d |         | Two-Bolt<br>Flange<br>Designation | Bearing<br>Designation | Basic Load Ratings        |                           | Dimensions      |                |             |               |                 |                |               |               |               |             | Bolt<br>Size | Weight       |
|-----------------|---------|-----------------------------------|------------------------|---------------------------|---------------------------|-----------------|----------------|-------------|---------------|-----------------|----------------|---------------|---------------|---------------|-------------|--------------|--------------|
|                 |         |                                   |                        | Dynamic<br>C <sub>r</sub> | Static<br>C <sub>0r</sub> | H               | J              | A1          | A             | A0              | L              | A2            | S             | B             | N           |              |              |
| mm              | in.     |                                   |                        | kN<br>lbs.                | kN<br>lbs.                | mm<br>in.       | mm<br>in.      | mm<br>in.   | mm<br>in.     | mm<br>in.       | mm<br>in.      | mm<br>in.     | mm<br>in.     | mm<br>in.     | mm<br>in.   | mm<br>in.    | kg<br>lbs.   |
| 50              | 1 7/8   | UCFL210-30                        | UC210-30               | 35.1<br>7891              | 23.3<br>5238              | 197<br>7 3/4    | 157<br>6 3/16  | 15<br>19/32 | 40<br>1 9/16  | 54.6<br>2 5/32  | 115<br>4 17/32 | 22<br>55/64   | 19<br>0.748   | 51.6<br>2.031 | 19<br>3/4   | M16<br>5/8   | 2.2<br>4.9   |
|                 | 1 15/16 | UCFL210-31                        | UC210-31               |                           |                           |                 |                |             |               |                 |                |               |               |               |             |              |              |
|                 |         | UCFL210                           | UC210                  |                           |                           |                 |                |             |               |                 |                |               |               |               |             |              |              |
| 55              | 2       | UCFL210-32                        | UC210-32               | 43.4<br>9757              | 29.4<br>6609              | 224<br>8 13/16  | 184<br>7 1/4   | 18<br>23/32 | 43<br>1 11/16 | 58.4<br>2 5/16  | 130<br>5 1/8   | 25<br>63/64   | 22.2<br>0.874 | 55.6<br>2.189 | 19<br>3/4   | M16<br>5/8   | 3.3<br>7.3   |
|                 | 2       | UCFL211-32                        | UC211-32               |                           |                           |                 |                |             |               |                 |                |               |               |               |             |              |              |
|                 | 2 1/8   | UCFL211-34                        | UC211-34               |                           |                           |                 |                |             |               |                 |                |               |               |               |             |              |              |
| 60              | 2 3/16  | UCFL211-35                        | UC211-35               | 52.4<br>11780             | 36.2<br>8138              | 250<br>9 27/32  | 202<br>7 61/64 | 18<br>23/32 | 48<br>1 7/8   | 68.7<br>2 23/32 | 140<br>5 1/2   | 29<br>1 9/64  | 25.4<br>1.000 | 65.1<br>2.563 | 23<br>29/32 | M20<br>3/4   | 4.2<br>9.3   |
|                 | 2 1/4   | UCFL212-36                        | UC212-36               |                           |                           |                 |                |             |               |                 |                |               |               |               |             |              |              |
|                 | 2 3/8   | UCFL212-38                        | UC212-38               |                           |                           |                 |                |             |               |                 |                |               |               |               |             |              |              |
| 65              | 2 7/16  | UCFL212-39                        | UC212-39               | 57.2<br>12859             | 40.1<br>9015              | 258<br>10 5/32  | 210<br>8 17/64 | 20<br>25/32 | 50<br>1 31/32 | 69.7<br>2 3/4   | 155<br>6 3/32  | 30<br>1 3/16  | 25.4<br>1.00  | 65.1<br>2.563 | 23<br>29/32 | M20<br>3/4   | 5.1<br>11.2  |
|                 | 2 1/2   | UCFL213-40                        | UC213-40               |                           |                           |                 |                |             |               |                 |                |               |               |               |             |              |              |
|                 |         | UCFL213                           | UC213                  |                           |                           |                 |                |             |               |                 |                |               |               |               |             |              |              |
| 70              | 2 3/4   | UCFL214-44                        | UC214-44               | 62.2<br>13983             | 44.1<br>9914              | 265<br>10 7/16  | 216<br>8 1/2   | 20<br>25/32 | 54<br>2 1/8   | 75.4<br>2 31/32 | 160<br>6 5/16  | 31<br>1 7/32  | 30.2<br>1.189 | 74.6<br>2.937 | 23<br>29/32 | M20<br>3/4   | 5.7<br>12.6  |
|                 |         | UCFL214                           | UC214                  |                           |                           |                 |                |             |               |                 |                |               |               |               |             |              |              |
|                 | 2 15/16 | UCFL215-47                        | UC215-47               |                           |                           |                 |                |             |               |                 |                |               |               |               |             |              |              |
| 75              |         | UCFL215                           | UC215                  | 67.4<br>15152             | 48.3<br>10858             | 275<br>12 13/16 | 225<br>8 55/64 | 20<br>25/32 | 56<br>2 7/32  | 78.5<br>3 3/32  | 165<br>6 1/2   | 34<br>1 11/32 | 33.3<br>1.311 | 77.8<br>3.063 | 23<br>29/32 | M20<br>3/4   | 6.4<br>14.1  |
|                 | 3       | UCFL215-48                        | UC215-48               |                           |                           |                 |                |             |               |                 |                |               |               |               |             |              |              |
|                 | 3 1/8   | UCFL216-50                        | UC216-50               |                           |                           |                 |                |             |               |                 |                |               |               |               |             |              |              |
| 80              |         | UCFL216                           | UC216                  | 72.7<br>16344             | 53<br>11915               | 290<br>11 13/32 | 233<br>9 11/64 | 20<br>25/32 | 58<br>2 9/32  | 83.3<br>3 9/32  | 180<br>7 3/32  | 34<br>1 11/32 | 33.3<br>1.311 | 82.6<br>3.252 | 25<br>63/64 | M22<br>7/8   | 7.8<br>17.2  |
|                 | 3 1/4   | UCFL217-52                        | UC217-52               |                           |                           |                 |                |             |               |                 |                |               |               |               |             |              |              |
| 85              |         | UCFL217                           | UC217                  | 84<br>18884               | 61.9<br>13916             | 305<br>12       | 248<br>9 49/64 | 22<br>7/8   | 63<br>2 15/32 | 87.6<br>3 7/16  | 190<br>7 15/32 | 36<br>1 27/64 | 34.1<br>1.343 | 85.7<br>3.374 | 25<br>63/64 | M22<br>7/8   | 9.8<br>21.6  |
|                 | 3 1/2   | UCFL218-56                        | UC218-56               |                           |                           |                 |                |             |               |                 |                |               |               |               |             |              |              |
| 90              |         | UCFL218                           | UC218                  | 96.1<br>21604             | 71.5<br>16074             | 320<br>12 19/32 | 265<br>10 7/16 | 23<br>29/32 | 68<br>2 11/16 | 96.3<br>3 25/32 | 205<br>8 1/16  | 40<br>1 37/64 | 39.7<br>1.563 | 96<br>3.78    | 25<br>63/64 | M22<br>7/8   | 12.3<br>27.1 |
|                 |         |                                   |                        |                           |                           |                 |                |             |               |                 |                |               |               |               |             |              |              |

# CAST-IRON PILOTED ROUND FLANGED UNITS

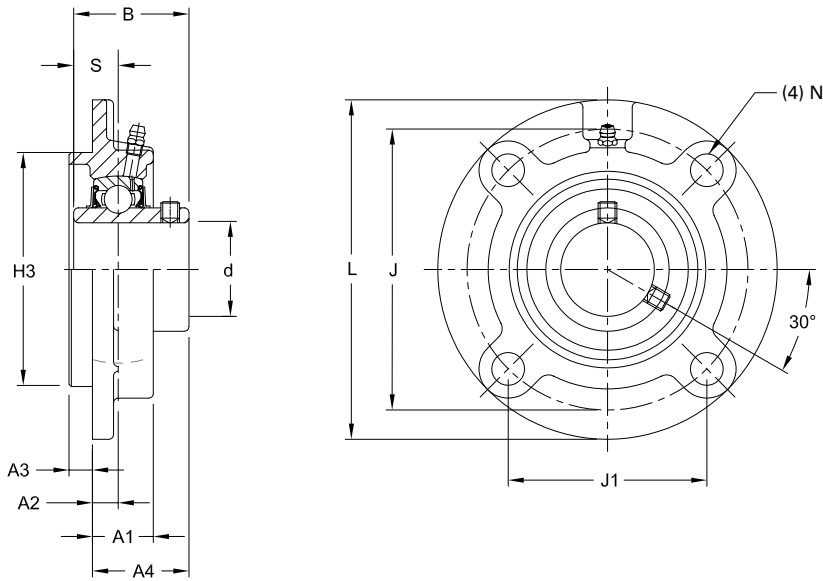
## UCFC INDUSTRIAL SERIES

- UCFC piloted round flanged units ensure accurate mounting fits and provide better support for heavy loads.
- Each unit comes assembled and ready for mounting, using bolts through the flange.
- These units use wide inner ring ball bearings with self-aligning spherical outside diameters that compensate for shaft misalignment.
- Bolt-hole spacing dimensions and shaft center location are interchangeable with competitive units.
- Timken UCFC-series set screw flanged units feature the Timken UC bearing insert.
- Bearing prelubricated and ready for immediate installation.
- Grease fitting supplied for relubrication.
- The bonded seal design is well-suited for industrial applications involving wet or dirty environments.
- Housing designed for ease of bearing replacement.

| Shaft Dia.<br>d |         | Round Flange<br>Cartridge<br>Designation | Bearing<br>Designation | Basic Load Ratings        |                           | Dimensions     |                |                 |               |             |             |                 |              |               |               |             | Bolt<br>Size | Weight     |
|-----------------|---------|--|------------------------|---------------------------|---------------------------|----------------|----------------|-----------------|---------------|-------------|-------------|-----------------|--------------|---------------|---------------|-------------|--------------|------------|
|                 |         |  |                        | Dynamic<br>C <sub>r</sub> | Static<br>C <sub>0r</sub> | L              | J              | J1              | A1            | A2          | A3          | A4              | H3           | S             | B             | N           |              |            |
| mm              | in.     |  |                        | kN<br>lbs.                | kN<br>lbs.                | mm<br>in.      | mm<br>in.      | mm<br>in.       | mm<br>in.     | mm<br>in.   | mm<br>in.   | mm<br>in.       | mm<br>in.    | mm<br>in.     | mm<br>in.     | mm<br>in.   | mm<br>in.    | kg<br>lbs. |
| 12              |         | UCFC201                                  | UC201                  | 12.80<br>2878             | 6.65<br>1495              | 100<br>3 15/16 | 78<br>3 5/64   | 55.1<br>2 11/64 | 20.5<br>13/16 | 10<br>25/64 | 5<br>13/64  | 28.3<br>1 1/8   | 62<br>2.441  | 12.7<br>0.500 | 31<br>1.220   | 12<br>15/32 | M10<br>3/8   | 0.7<br>1.5 |
|                 | 1/2     | UCFC201-8                                | UC201-8                |                           |                           |                |                |                 |               |             |             |                 |              |               |               |             |              |            |
| 15              |         | UCFC202                                  | UC202                  | 12.80<br>2878             | 6.65<br>1495              | 100<br>3 15/16 | 78<br>3 5/64   | 55.1<br>2 11/64 | 20.5<br>13/16 | 10<br>25/64 | 5<br>13/64  | 28.3<br>1 1/8   | 62<br>2.441  | 12.7<br>0.500 | 31<br>1.220   | 12<br>15/32 | M10<br>3/8   | 0.7<br>1.5 |
|                 | 5/8     | UCFC202-10                               | UC202-10               |                           |                           |                |                |                 |               |             |             |                 |              |               |               |             |              |            |
| 17              |         | UCFC203                                  | UC203                  | 12.80<br>2878             | 6.65<br>1495              | 100<br>3 15/16 | 78<br>3 5/64   | 55.1<br>2 11/64 | 20.5<br>13/16 | 10<br>25/64 | 5<br>13/64  | 28.3<br>1 1/8   | 62<br>2.441  | 12.7<br>0.500 | 31<br>1.220   | 12<br>15/32 | M10<br>3/8   | 0.7<br>1.5 |
|                 | 3/4     | UCFC204-12                               | UC204-12               |                           |                           |                |                |                 |               |             |             |                 |              |               |               |             |              |            |
| 20              |         | UCFC204                                  | UC204                  | 14.00<br>3147             | 7.85<br>1765              | 115<br>4 17/32 | 90<br>3 35/64  | 63.6<br>2 1/2   | 21<br>13/16   | 10<br>25/64 | 6<br>15/64  | 29.8<br>1 3/16  | 70<br>2.756  | 14.3<br>0.563 | 34.1<br>1.343 | 12<br>15/32 | M10<br>3/8   | 1.0<br>2.2 |
|                 | 7/8     | UCFC205-14                               | UC205-14               |                           |                           |                |                |                 |               |             |             |                 |              |               |               |             |              |            |
| 25              |         | UCFC205                                  | UC205                  | 14.00<br>3147             | 7.85<br>1765              | 115<br>4 17/32 | 90<br>3 35/64  | 63.6<br>2 1/2   | 21<br>13/16   | 10<br>25/64 | 6<br>15/64  | 29.8<br>1 3/16  | 70<br>2.756  | 14.3<br>0.563 | 34.1<br>1.343 | 12<br>15/32 | M10<br>3/8   | 1.0<br>2.2 |
|                 | 15/16   | UCFC205-15                               | UC205-15               |                           |                           |                |                |                 |               |             |             |                 |              |               |               |             |              |            |
| 30              |         | UCFC206                                  | UC206                  | 19.50<br>4384             | 11.30<br>2540             | 125<br>4 29/32 | 100<br>3 15/16 | 70.7<br>2 25/32 | 23<br>29/32   | 10<br>25/64 | 8<br>9/16   | 32.2<br>1 9/32  | 80<br>3.150  | 15.9<br>0.626 | 38.1<br>1.500 | 12<br>15/32 | M10<br>3/8   | 1.3<br>2.9 |
|                 | 1 1/8   | UCFC206-18                               | UC206-18               |                           |                           |                |                |                 |               |             |             |                 |              |               |               |             |              |            |
| 30              |         | UCFC206-19                               | UC206-19               | 19.50<br>4384             | 11.30<br>2540             | 125<br>4 29/32 | 100<br>3 15/16 | 70.7<br>2 25/32 | 23<br>29/32   | 10<br>25/64 | 8<br>9/16   | 32.2<br>1 9/32  | 80<br>3.150  | 15.9<br>0.626 | 38.1<br>1.500 | 12<br>15/32 | M10<br>3/8   | 1.3<br>2.9 |
|                 | 1 3/16  | UCFC206-19                               | UC206-19               |                           |                           |                |                |                 |               |             |             |                 |              |               |               |             |              |            |
| 30              |         | UCFC206-20                               | UC206-20               | 19.50<br>4384             | 11.30<br>2540             | 125<br>4 29/32 | 100<br>3 15/16 | 70.7<br>2 25/32 | 23<br>29/32   | 10<br>25/64 | 8<br>9/16   | 32.2<br>1 9/32  | 80<br>3.150  | 15.9<br>0.626 | 38.1<br>1.500 | 12<br>15/32 | M10<br>3/8   | 1.3<br>2.9 |
|                 | 1 1/4   | UCFC206-20                               | UC206-20               |                           |                           |                |                |                 |               |             |             |                 |              |               |               |             |              |            |
| 35              |         | UCFC207                                  | UC207                  | 25.70<br>5778             | 15.40<br>3462             | 135<br>5 5/16  | 110<br>4 21/64 | 77.8<br>3 1/16  | 26<br>1 1/32  | 11<br>7/16  | 8<br>9/16   | 36.4<br>1 7/16  | 90<br>3.543  | 17.5<br>0.689 | 42.9<br>1.689 | 14<br>35/64 | M12<br>7/16  | 1.7<br>3.7 |
|                 | 1 1/4   | UCFC207-20                               | UC207-20               |                           |                           |                |                |                 |               |             |             |                 |              |               |               |             |              |            |
| 35              |         | UCFC207-21                               | UC207-21               | 25.70<br>5778             | 15.40<br>3462             | 135<br>5 5/16  | 110<br>4 21/64 | 77.8<br>3 1/16  | 26<br>1 1/32  | 11<br>7/16  | 8<br>9/16   | 36.4<br>1 7/16  | 90<br>3.543  | 17.5<br>0.689 | 42.9<br>1.689 | 14<br>35/64 | M12<br>7/16  | 1.7<br>3.7 |
|                 | 1 5/16  | UCFC207-21                               | UC207-21               |                           |                           |                |                |                 |               |             |             |                 |              |               |               |             |              |            |
| 40              |         | UCFC208                                  | UC208                  | 29.10<br>6542             | 17.80<br>4002             | 145<br>5 23/32 | 120<br>4 23/32 | 84.8<br>3 11/32 | 26<br>1 1/32  | 11<br>7/16  | 10<br>25/64 | 41.2<br>1 5/8   | 100<br>3.937 | 19<br>0.748   | 49.2<br>1.937 | 14<br>35/64 | M12<br>7/16  | 2.0<br>4.4 |
|                 | 1 3/8   | UCFC207-22                               | UC207-22               |                           |                           |                |                |                 |               |             |             |                 |              |               |               |             |              |            |
| 40              |         | UCFC208-24                               | UC208-24               | 29.10<br>6542             | 17.80<br>4002             | 145<br>5 23/32 | 120<br>4 23/32 | 84.8<br>3 11/32 | 26<br>1 1/32  | 11<br>7/16  | 10<br>25/64 | 41.2<br>1 5/8   | 100<br>3.937 | 19<br>0.748   | 49.2<br>1.937 | 14<br>35/64 | M12<br>7/16  | 2.0<br>4.4 |
|                 | 1 1/2   | UCFC208-24                               | UC208-24               |                           |                           |                |                |                 |               |             |             |                 |              |               |               |             |              |            |
| 45              |         | UCFC209                                  | UC209                  | 34.10<br>7666             | 21.30<br>4788             | 160<br>6 5/16  | 132<br>5 13/64 | 93.3<br>3 43/64 | 26<br>1 1/32  | 10<br>25/64 | 12<br>15/32 | 40.2<br>1 19/32 | 105<br>4.134 | 19<br>0.748   | 49.2<br>1.937 | 16<br>5/8   | M14<br>1/2   | 2.6<br>5.7 |
|                 | 1 9/16  | UCFC208-25                               | UC208-25               |                           |                           |                |                |                 |               |             |             |                 |              |               |               |             |              |            |
| 45              |         | UCFC209-26                               | UC209-26               | 34.10<br>7666             | 21.30<br>4788             | 160<br>6 5/16  | 132<br>5 13/64 | 93.3<br>3 43/64 | 26<br>1 1/32  | 10<br>25/64 | 12<br>15/32 | 40.2<br>1 19/32 | 105<br>4.134 | 19<br>0.748   | 49.2<br>1.937 | 16<br>5/8   | M14<br>1/2   | 2.6<br>5.7 |
|                 | 1 5/8   | UCFC209-26                               | UC209-26               |                           |                           |                |                |                 |               |             |             |                 |              |               |               |             |              |            |
| 45              |         | UCFC209-27                               | UC209-27               | 34.10<br>7666             | 21.30<br>4788             | 160<br>6 5/16  | 132<br>5 13/64 | 93.3<br>3 43/64 | 26<br>1 1/32  | 10<br>25/64 | 12<br>15/32 | 40.2<br>1 19/32 | 105<br>4.134 | 19<br>0.748   | 49.2<br>1.937 | 16<br>5/8   | M14<br>1/2   | 2.6<br>5.7 |
|                 | 1 11/16 | UCFC209-27                               | UC209-27               |                           |                           |                |                |                 |               |             |             |                 |              |               |               |             |              |            |
| 45              |         | UCFC209-28                               | UC209-28               | 34.10<br>7666             | 21.30<br>4788             | 160<br>6 5/16  | 132<br>5 13/64 | 93.3<br>3 43/64 | 26<br>1 1/32  | 10<br>25/64 | 12<br>15/32 | 40.2<br>1 19/32 | 105<br>4.134 | 19<br>0.748   | 49.2<br>1.937 | 16<br>5/8   | M14<br>1/2   | 2.6<br>5.7 |
|                 | 1 3/4   | UCFC209-28                               | UC209-28               |                           |                           |                |                |                 |               |             |             |                 |              |               |               |             |              |            |

Continued on next page.





Continued from previous page.

| Shaft Dia.<br>d | Round Flange<br>Cartridge<br>Designation | Bearing<br>Designation | Basic Load Ratings        |                           | Dimensions     |                |                  |               |             |             |                 |              |               |               |             |           | Bolt<br>Size | Weight     |
|-----------------|--|------------------------|---------------------------|---------------------------|----------------|----------------|------------------|---------------|-------------|-------------|-----------------|--------------|---------------|---------------|-------------|-----------|--------------|------------|
|                 |  |                        | Dynamic<br>C <sub>r</sub> | Static<br>C <sub>0r</sub> | L              | J              | J1               | A1            | A2          | A3          | A4              | H3           | S             | B             | N           |           |              |            |
| mm              | in.                                      |                        | kN<br>lbs.                | kN<br>lbs.                | mm<br>in.      | mm<br>in.      | mm<br>in.        | mm<br>in.     | mm<br>in.   | mm<br>in.   | mm<br>in.       | mm<br>in.    | mm<br>in.     | mm<br>in.     | mm<br>in.   | mm<br>in. | mm<br>in.    | kg<br>lbs. |
|                 | 1 7/8                                    | UCFC210-30             |                           |                           |                |                |                  |               |             |             |                 |              |               |               |             |           |              |            |
|                 | 1 15/16                                  | UCFC210-31             |                           |                           |                |                |                  |               |             |             |                 |              |               |               |             |           |              |            |
| 50              |  | UCFC210                | 35.10<br>7891             | 23.30<br>5238             | 165<br>6 1/2   | 138<br>5 7/16  | 97.6<br>3 27/32  | 28<br>1 3/32  | 10<br>25/64 | 12<br>15/32 | 42.6<br>1 11/16 | 110<br>4.331 | 19<br>0.748   | 51.6<br>2.031 | 16<br>5/8   | M14       | 2.9<br>6.4   |            |
|                 |  | 2                      |                           |                           |                |                |                  |               |             |             |                 |              |               |               |             |           |              | UCFC210-32 |
|                 | 2  | UCFC211-32             |                           |                           |                |                |                  |               |             |             |                 |              |               |               |             |           |              |            |
|                 | 2 1/8                                    | UCFC211-34             |                           |                           |                |                |                  |               |             |             |                 |              |               |               |             |           |              |            |
| 55              |  | UCFC211                | 43.40<br>9757             | 29.40<br>6609             | 185<br>7 9/32  | 150<br>5 29/32 | 106.1<br>4 11/64 | 31<br>1 7/32  | 13<br>33/64 | 12<br>15/32 | 46.4<br>1 13/16 | 125<br>4.921 | 22.2<br>0.874 | 55.6<br>2.189 | 19<br>3/4   | M16       | 4.2<br>9.3   |            |
|                 |  | 2 3/16                 |                           |                           |                |                |                  |               |             |             |                 |              |               |               |             |           |              | UCFC211-35 |
|                 | 2 1/4                                    | UCFC212-36             |                           |                           |                |                |                  |               |             |             |                 |              |               |               |             |           |              |            |
| 60              |  | UCFC212                | 52.40<br>11780            | 36.20<br>8138             | 195<br>7 11/16 | 160<br>6 19/64 | 113.1<br>4 29/64 | 36<br>1 13/32 | 17<br>43/64 | 12<br>15/32 | 56.7<br>2 7/32  | 135<br>5.315 | 25.4<br>1.000 | 65.1<br>2.563 | 19<br>3/4   | M16       | 5.0<br>11.0  |            |
|                 |  | 2 3/8                  |                           |                           |                |                |                  |               |             |             |                 |              |               |               |             |           |              | UCFC212-38 |
|                 | 2 7/16                                   | UCFC212-39             |                           |                           |                |                |                  |               |             |             |                 |              |               |               |             |           |              |            |
|                 | 2 1/2                                    | UCFC213-40             |                           |                           |                |                |                  |               |             |             |                 |              |               |               |             |           |              |            |
| 65              |  | UCFC213                | 57.20<br>12859            | 40.10<br>9015             | 205<br>8 1/16  | 170<br>6 11/16 | 120.2<br>4 47/64 | 36<br>1 13/32 | 16<br>5/8   | 14<br>35/64 | 55.7<br>2 3/16  | 145<br>5.709 | 25.4<br>1.000 | 65.1<br>2.563 | 19<br>3/4   | M16       | 5.6<br>12.3  |            |
|                 |  | 2 3/4                  |                           |                           |                |                |                  |               |             |             |                 |              |               |               |             |           |              | UCFC214-44 |
| 70              |  | UCFC214                | 62.20<br>13983            | 44.10<br>9914             | 215<br>8 15/32 | 177<br>6 31/32 | 125.1<br>4 59/64 | 40<br>1 9/16  | 17<br>43/64 | 14<br>35/64 | 61.4<br>2 13/32 | 150<br>5.906 | 30.2<br>1.189 | 74.6<br>2.937 | 19<br>3/4   | M16       | 6.8<br>15.0  |            |
|                 |  | 2 15/16                |                           |                           |                |                |                  |               |             |             |                 |              |               |               |             |           |              | UCFC215-47 |
| 75              |  | UCFC215                | 67.40<br>15152            | 48.30<br>10858            | 220<br>8 21/32 | 184<br>7 1/4   | 130.1<br>5 1/8   | 40<br>1 9/16  | 18<br>45/64 | 16<br>5/8   | 62.5<br>2 15/32 | 160<br>6.299 | 33.3<br>1.311 | 77.8<br>3.063 | 19<br>3/4   | M16       | 7.2<br>15.9  |            |
|                 |  | 3                      |                           |                           |                |                |                  |               |             |             |                 |              |               |               |             |           |              | UCFC215-48 |
|                 | 3 1/8                                    | UCFC216-50             |                           |                           |                |                |                  |               |             |             |                 |              |               |               |             |           |              |            |
| 80              |  | UCFC216                | 72.70<br>16344            | 53.00<br>11915            | 240<br>9 7/16  | 200<br>7 7/8   | 141.4<br>5 9/16  | 42<br>1 29/32 | 18<br>45/64 | 16<br>5/8   | 67.3<br>2 21/32 | 170<br>6.693 | 33.3<br>1.311 | 82.6<br>3.252 | 23<br>29/32 | M20       | 8.7<br>19.2  |            |
|                 |  | 3 1/4                  |                           |                           |                |                |                  |               |             |             |                 |              |               |               |             |           |              | UCFC217-52 |
| 85              |  | UCFC217                | 84.00<br>18884            | 61.90<br>13916            | 250<br>9 27/32 | 208<br>8 3/16  | 147.1<br>5 51/64 | 45<br>1 25/32 | 18<br>45/64 | 18<br>45/64 | 69.6<br>2 3/4   | 180<br>7.086 | 34.1<br>1.343 | 85.7<br>3.374 | 23<br>29/32 | M20       | 11.7<br>25.8 |            |
|                 |  | 3 1/2                  |                           |                           |                |                |                  |               |             |             |                 |              |               |               |             |           |              | UCFC218-56 |
| 90              |  | UCFC218                | 96.10<br>21604            | 71.50<br>16074            | 265<br>10 7/16 | 220<br>8 21/32 | 155.5<br>6 1/8   | 50<br>1 31/32 | 22<br>55/64 | 18<br>45/64 | 78.3<br>3 3/32  | 190<br>7.480 | 39.7<br>1.563 | 96<br>3.78    | 23<br>29/32 | M20       | 14.8<br>32.6 |            |

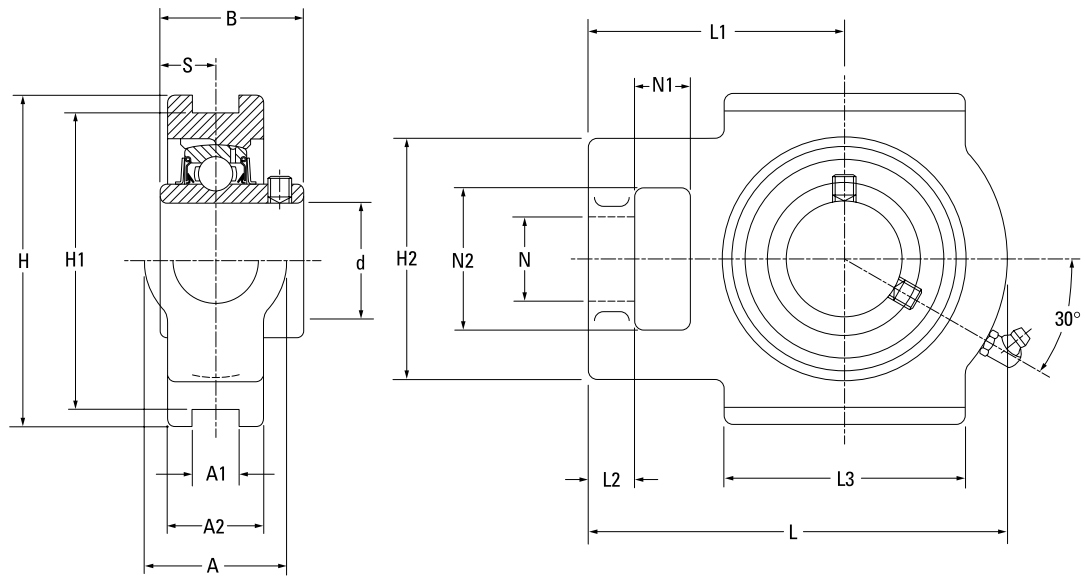
# CAST-IRON TAKE-UP UNITS

## UCT INDUSTRIAL SERIES

- UCT take-up units are used where shaft adjustment and belt-tightening devices are required, such as in conveyor applications.
- These units provide compact, efficient supports for adjustable shafts and conveyor take-up pulleys.
- Each unit comes assembled and ready for mounting.
- These units use wide inner ring ball bearings with self-aligning spherical outside diameters that compensate for shaft misalignment.
- Bolt-hole spacing dimensions and shaft center location are interchangeable with competitive units.
- Timken UCT-series take-up units feature the Timken UC bearing insert.
- Bearing prelubricated and ready for immediate installation.
- Grease fitting supplied for relubrication.
- The bonded seal design is well-suited for industrial applications involving wet or dirty environments.
- Housing designed for ease of bearing replacement.

| Shaft Dia.<br>d |         | Take-Up Unit Designation | Bearing Designation | Basic Load Ratings        |                           | Dimensions     |               |             |               |              |               |              |                |               |               |               |               |           |               |             | Weight     |
|-----------------|---------|--------------------------|---------------------|---------------------------|---------------------------|----------------|---------------|-------------|---------------|--------------|---------------|--------------|----------------|---------------|---------------|---------------|---------------|-----------|---------------|-------------|------------|
|                 |         |                          |                     | Dynamic<br>C <sub>r</sub> | Static<br>C <sub>0r</sub> | H              | H1            | L2          | L1            | A2           | A             | N            | L              | H2            | S             | B             | L3            | N1        | N2            | A1          |            |
| mm              | in.     |                          |                     | kN<br>lbs.                | kN<br>lbs.                | mm<br>in.      | mm<br>in.     | mm<br>in.   | mm<br>in.     | mm<br>in.    | mm<br>in.     | mm<br>in.    | mm<br>in.      | mm<br>in.     | mm<br>in.     | mm<br>in.     | mm<br>in.     | mm<br>in. | mm<br>in.     | mm<br>in.   | kg<br>lbs. |
| 12              |         | UCT201                   | UC201               | 12.8<br>2878              | 6.65<br>1495              | 89<br>3 1/2    | 76<br>2 63/64 | 10<br>13/32 | 61<br>2 13/32 | 21<br>13/16  | 32<br>1 1/4   | 19<br>3/4    | 94<br>3 11/16  | 51<br>2       | 12.7<br>0.500 | 31<br>1.220   | 51<br>2       | 16<br>5/8 | 32<br>1 1/4   | 12<br>15/32 | 0.8<br>1.8 |
|                 | 1/2     | UCT201-8                 | UC201-8             |                           |                           |                |               |             |               |              |               |              |                |               |               |               |               |           |               |             |            |
| 15              |         | UCT202                   | UC202               | 12.8<br>2878              | 6.65<br>1495              | 89<br>3 1/2    | 76<br>2 63/64 | 10<br>13/32 | 61<br>2 13/32 | 21<br>13/16  | 32<br>1 1/4   | 19<br>3/4    | 94<br>3 11/16  | 51<br>2       | 12.7<br>0.500 | 31<br>1.220   | 51<br>2       | 16<br>5/8 | 32<br>1 1/4   | 12<br>15/32 | 0.8<br>1.8 |
|                 | 5/8     | UCT202-10                | UC202-10            |                           |                           |                |               |             |               |              |               |              |                |               |               |               |               |           |               |             |            |
| 17              |         | UCT203                   | UC203               |                           |                           |                |               |             |               |              |               |              |                |               |               |               |               |           |               |             |            |
|                 | 3/4     | UCT204-12                | UC204-12            | 14<br>3147                | 7.85<br>1765              | 89<br>3 1/2    | 76<br>2 63/64 | 10<br>13/32 | 62<br>2 7/16  | 24<br>15/16  | 32<br>1 1/4   | 19<br>3/4    | 97<br>3 13/16  | 51<br>2       | 14.3<br>0.563 | 34.1<br>1.343 | 51<br>2       | 16<br>5/8 | 32<br>1 1/4   | 12<br>15/32 | 0.8<br>1.9 |
| 20              |         | UCT204                   | UC204               |                           |                           |                |               |             |               |              |               |              |                |               |               |               |               |           |               |             |            |
|                 | 7/8     | UCT205-14                | UC205-14            | 19.5<br>4384              | 11.3<br>2540              | 102<br>4 1/32  | 89<br>3 1/2   | 10<br>13/32 | 70<br>2 3/4   | 28<br>1 3/32 | 37<br>1 15/32 | 22<br>7/8    | 113<br>4 7/16  | 56<br>2 7/32  | 15.9<br>0.626 | 38.1<br>1.500 | 57<br>2 1/4   | 16<br>5/8 | 37<br>1 15/32 | 12<br>15/32 | 1.3<br>2.9 |
|                 | 15/16   | UCT205-15                | UC205-15            |                           |                           |                |               |             |               |              |               |              |                |               |               |               |               |           |               |             |            |
| 25              |         | UCT205                   | UC205               |                           |                           |                |               |             |               |              |               |              |                |               |               |               |               |           |               |             |            |
|                 | 1       | UCT205-16                | UC205-16            | 25.7<br>5778              | 15.4<br>3462              | 102<br>4 1/32  | 89<br>3 1/2   | 13<br>1/2   | 78<br>3 1/16  | 30<br>1 3/16 | 37<br>1 15/32 | 22<br>7/8    | 129<br>5 3/32  | 64<br>2 17/32 | 17.5<br>0.689 | 42.9<br>1.689 | 64<br>2 17/32 | 16<br>5/8 | 37<br>1 15/32 | 12<br>15/32 | 1.6<br>3.5 |
|                 | 1 1/8   | UCT206-18                | UC206-18            |                           |                           |                |               |             |               |              |               |              |                |               |               |               |               |           |               |             |            |
| 30              |         | UCT206                   | UC206               |                           |                           |                |               |             |               |              |               |              |                |               |               |               |               |           |               |             |            |
|                 | 1 3/16  | UCT206-19                | UC206-19            | 29.1<br>6542              | 17.8<br>4002              | 114<br>4 1/2   | 102<br>4 1/64 | 16<br>5/8   | 88<br>3 15/32 | 33<br>1 5/16 | 49<br>1 15/16 | 29<br>1 5/32 | 144<br>5 21/32 | 83<br>3 9/32  | 19<br>0.748   | 49.2<br>1.937 | 83<br>3 9/32  | 19<br>3/4 | 49<br>1 15/16 | 16<br>5/8   | 2.5<br>5.5 |
|                 | 1 1/4   | UCT206-20                | UC206-20            |                           |                           |                |               |             |               |              |               |              |                |               |               |               |               |           |               |             |            |
|                 | 1 1/4   | UCT207-20                | UC207-20            |                           |                           |                |               |             |               |              |               |              |                |               |               |               |               |           |               |             |            |
|                 | 1 5/16  | UCT207-21                | UC207-21            | 34.1<br>7666              | 21.3<br>4788              | 117<br>4 19/32 | 102<br>4 1/64 | 16<br>5/8   | 87<br>3 7/16  | 35<br>1 3/8  | 49<br>1 15/16 | 29<br>1 5/32 | 144<br>5 21/32 | 83<br>3 9/32  | 19<br>0.748   | 49.2<br>1.937 | 83<br>3 9/32  | 19<br>3/4 | 49<br>1 15/16 | 16<br>5/8   | 2.5<br>5.5 |
|                 | 1 3/8   | UCT207-22                | UC207-22            |                           |                           |                |               |             |               |              |               |              |                |               |               |               |               |           |               |             |            |
| 35              |         | UCT207                   | UC207               | 34.1<br>7666              | 21.3<br>4788              | 117<br>4 19/32 | 102<br>4 1/64 | 16<br>5/8   | 87<br>3 7/16  | 35<br>1 3/8  | 49<br>1 15/16 | 29<br>1 5/32 | 144<br>5 21/32 | 83<br>3 9/32  | 19<br>0.748   | 49.2<br>1.937 | 83<br>3 9/32  | 19<br>3/4 | 49<br>1 15/16 | 16<br>5/8   | 2.5<br>5.5 |
|                 | 1 7/16  | UCT207-23                | UC207-23            |                           |                           |                |               |             |               |              |               |              |                |               |               |               |               |           |               |             |            |
|                 | 1 1/2   | UCT208-24                | UC208-24            |                           |                           |                |               |             |               |              |               |              |                |               |               |               |               |           |               |             |            |
|                 | 1 1/2   | UCT208-24                | UC208-24            | 34.1<br>7666              | 21.3<br>4788              | 117<br>4 19/32 | 102<br>4 1/64 | 16<br>5/8   | 87<br>3 7/16  | 35<br>1 3/8  | 49<br>1 15/16 | 29<br>1 5/32 | 144<br>5 21/32 | 83<br>3 9/32  | 19<br>0.748   | 49.2<br>1.937 | 83<br>3 9/32  | 19<br>3/4 | 49<br>1 15/16 | 16<br>5/8   | 2.5<br>5.5 |
|                 | 1 9/16  | UCT208-25                | UC208-25            |                           |                           |                |               |             |               |              |               |              |                |               |               |               |               |           |               |             |            |
| 40              |         | UCT208                   | UC208               | 34.1<br>7666              | 21.3<br>4788              | 117<br>4 19/32 | 102<br>4 1/64 | 16<br>5/8   | 87<br>3 7/16  | 35<br>1 3/8  | 49<br>1 15/16 | 29<br>1 5/32 | 144<br>5 21/32 | 83<br>3 9/32  | 19<br>0.748   | 49.2<br>1.937 | 83<br>3 9/32  | 19<br>3/4 | 49<br>1 15/16 | 16<br>5/8   | 2.5<br>5.5 |
|                 | 1 5/8   | UCT209-26                | UC209-26            |                           |                           |                |               |             |               |              |               |              |                |               |               |               |               |           |               |             |            |
|                 | 1 11/16 | UCT209-27                | UC209-27            |                           |                           |                |               |             |               |              |               |              |                |               |               |               |               |           |               |             |            |
|                 | 1 3/4   | UCT209-28                | UC209-28            | 34.1<br>7666              | 21.3<br>4788              | 117<br>4 19/32 | 102<br>4 1/64 | 16<br>5/8   | 87<br>3 7/16  | 35<br>1 3/8  | 49<br>1 15/16 | 29<br>1 5/32 | 144<br>5 21/32 | 83<br>3 9/32  | 19<br>0.748   | 49.2<br>1.937 | 83<br>3 9/32  | 19<br>3/4 | 49<br>1 15/16 | 16<br>5/8   | 2.5<br>5.5 |
| 45              |         | UCT209                   | UC209               |                           |                           |                |               |             |               |              |               |              |                |               |               |               |               |           |               |             |            |

Continued on next page.



Continued from previous page.

| Shaft Dia.<br>d | Take-Up Unit Designation | Bearing Designation | Basic Load Ratings        |                           | Dimensions           |                       |                       |                     |                       |                      |                      |                    |                       |                      |                      |                      |                      |                    |                      | Weight              |                    |
|-----------------|--------------------------|---------------------|---------------------------|---------------------------|----------------------|-----------------------|-----------------------|---------------------|-----------------------|----------------------|----------------------|--------------------|-----------------------|----------------------|----------------------|----------------------|----------------------|--------------------|----------------------|---------------------|--------------------|
|                 |                          |                     | Dynamic<br>C <sub>r</sub> | Static<br>C <sub>0r</sub> | H                    | H1                    | L2                    | L1                  | A2                    | A                    | N                    | L                  | H2                    | S                    | B                    | L3                   | N1                   | N2                 | A1                   |                     |                    |
| mm              | in.                      |                     | kN<br>lbs.                | kN<br>lbs.                | mm<br>in.            | mm<br>in.             | mm<br>in.             | mm<br>in.           | mm<br>in.             | mm<br>in.            | mm<br>in.            | mm<br>in.          | mm<br>in.             | mm<br>in.            | mm<br>in.            | mm<br>in.            | mm<br>in.            | mm<br>in.          | mm<br>in.            | mm<br>in.           | kg<br>lbs.         |
|                 | 1 7/8                    | UCT210-30           | UC210-30                  |                           |                      |                       |                       |                     |                       |                      |                      |                    |                       |                      |                      |                      |                      |                    |                      |                     |                    |
|                 | 1 15/16                  | UCT210-31           | UC210-31                  |                           |                      |                       |                       |                     |                       |                      |                      |                    |                       |                      |                      |                      |                      |                    |                      |                     |                    |
| <b>50</b>       |                          | UCT210              | UC210                     | <b>35.1</b><br>7891       | <b>23.3</b><br>5238  | <b>117</b><br>4 19/32 | <b>102</b><br>4 1/64  | <b>16</b><br>5/8    | <b>90</b><br>3 17/32  | <b>37</b><br>1 15/32 | <b>49</b><br>1 15/16 | <b>29</b><br>1 5/8 | <b>149</b><br>5 7/8   | <b>83</b><br>3 3/32  | <b>19</b><br>0.748   | <b>51.6</b><br>2.031 | <b>86</b><br>3 3/8   | <b>19</b><br>3/4   | <b>49</b><br>1 15/16 | <b>16</b><br>5/8    | <b>2.6</b><br>5.7  |
|                 | 2                        | UCT210-32           | UC210-32                  |                           |                      |                       |                       |                     |                       |                      |                      |                    |                       |                      |                      |                      |                      |                    |                      |                     |                    |
|                 | 2                        | UCT211-32           | UC211-32                  |                           |                      |                       |                       |                     |                       |                      |                      |                    |                       |                      |                      |                      |                      |                    |                      |                     |                    |
|                 | 2 1/8                    | UCT211-34           | UC211-34                  | <b>43.4</b><br>9757       | <b>29.4</b><br>6609  | <b>146</b><br>5 3/4   | <b>130</b><br>5 1/8   | <b>19</b><br>3/4    | <b>106</b><br>4 3/16  | <b>38</b><br>1 1/2   | <b>64</b><br>2 17/32 | <b>35</b><br>1 3/8 | <b>171</b><br>6 23/32 | <b>102</b><br>4 1/32 | <b>22.2</b><br>0.874 | <b>55.6</b><br>2.189 | <b>95</b><br>3 3/4   | <b>25</b><br>31/32 | <b>64</b><br>2 17/32 | <b>22</b><br>55/64  | <b>4.0</b><br>8.8  |
|                 | 2 3/16                   | UCT211-35           | UC211-35                  |                           |                      |                       |                       |                     |                       |                      |                      |                    |                       |                      |                      |                      |                      |                    |                      |                     |                    |
|                 | 2 1/4                    | UCT212-36           | UC212-36                  |                           |                      |                       |                       |                     |                       |                      |                      |                    |                       |                      |                      |                      |                      |                    |                      |                     |                    |
| <b>60</b>       |                          | UCT212              | UC212                     | <b>52.4</b><br>11780      | <b>36.2</b><br>8138  | <b>146</b><br>5 3/4   | <b>130</b><br>5 1/8   | <b>19</b><br>3/4    | <b>119</b><br>4 11/16 | <b>42</b><br>1 21/32 | <b>64</b><br>2 17/32 | <b>35</b><br>1 3/8 | <b>194</b><br>7 5/8   | <b>102</b><br>4 1/32 | <b>25.4</b><br>1.000 | <b>65.1</b><br>2.563 | <b>102</b><br>4 1/32 | <b>32</b><br>1 1/4 | <b>64</b><br>2 17/32 | <b>22</b><br>55/64  | <b>4.9</b><br>10.8 |
|                 | 2 3/8                    | UCT212-38           | UC212-38                  |                           |                      |                       |                       |                     |                       |                      |                      |                    |                       |                      |                      |                      |                      |                    |                      |                     |                    |
|                 | 2 7/16                   | UCT212-39           | UC212-39                  |                           |                      |                       |                       |                     |                       |                      |                      |                    |                       |                      |                      |                      |                      |                    |                      |                     |                    |
|                 | 2 1/2                    | UCT213-40           | UC213-40                  | <b>57.2</b><br>12859      | <b>40.1</b><br>9015  | <b>167</b><br>6 9/16  | <b>151</b><br>5 15/16 | <b>21</b><br>13/16  | <b>137</b><br>5 13/32 | <b>44</b><br>1 23/32 | <b>70</b><br>2 3/4   | <b>41</b><br>1 5/8 | <b>224</b><br>8 13/16 | <b>111</b><br>4 3/8  | <b>25.4</b><br>1.000 | <b>65.1</b><br>2.563 | <b>121</b><br>4 3/4  | <b>32</b><br>1 1/4 | <b>70</b><br>2 3/4   | <b>26</b><br>1 1/32 | <b>6.9</b><br>15.2 |
|                 | 2 3/4                    | UCT214-44           | UC214-44                  | <b>62.2</b><br>13983      | <b>44.1</b><br>9914  | <b>167</b><br>6 9/16  | <b>151</b><br>5 15/16 | <b>21</b><br>13/16  | <b>137</b><br>5 13/32 | <b>46</b><br>1 13/16 | <b>70</b><br>2 3/4   | <b>41</b><br>1 5/8 | <b>224</b><br>8 13/16 | <b>111</b><br>4 3/8  | <b>30.2</b><br>1.189 | <b>74.6</b><br>2.937 | <b>121</b><br>4 3/4  | <b>32</b><br>1 1/4 | <b>70</b><br>2 3/4   | <b>26</b><br>1 1/32 | <b>7.0</b><br>15.4 |
|                 | 2 15/16                  | UCT215-47           | UC215-47                  | <b>67.4</b><br>15152      | <b>48.3</b><br>10858 | <b>167</b><br>6 9/16  | <b>151</b><br>5 15/16 | <b>21</b><br>13/16  | <b>140</b><br>5 1/2   | <b>48</b><br>1 7/8   | <b>70</b><br>2 3/4   | <b>41</b><br>1 5/8 | <b>232</b><br>9 1/8   | <b>111</b><br>4 3/8  | <b>33.3</b><br>1.331 | <b>77.8</b><br>3.063 | <b>121</b><br>4 3/4  | <b>32</b><br>1 1/4 | <b>70</b><br>2 3/4   | <b>26</b><br>1 1/32 | <b>7.3</b><br>16.1 |
|                 | 3                        | UCT215-48           | UC215-48                  |                           |                      |                       |                       |                     |                       |                      |                      |                    |                       |                      |                      |                      |                      |                    |                      |                     |                    |
|                 | 3 1/8                    | UCT216-50           | UC216-50                  | <b>72.7</b><br>16344      | <b>53</b><br>11915   | <b>184</b><br>7 1/4   | <b>165</b><br>6 1/2   | <b>21</b><br>13/16  | <b>140</b><br>5 1/2   | <b>51</b><br>2       | <b>70</b><br>2 3/4   | <b>41</b><br>1 5/8 | <b>235</b><br>9 1/4   | <b>111</b><br>4 3/8  | <b>33.3</b><br>1.331 | <b>82.6</b><br>3.252 | <b>121</b><br>4 3/4  | <b>32</b><br>1 1/4 | <b>70</b><br>2 3/4   | <b>26</b><br>1 1/32 | <b>8.2</b><br>18.1 |
| <b>80</b>       |                          | UCT216              | UC216                     |                           |                      |                       |                       |                     |                       |                      |                      |                    |                       |                      |                      |                      |                      |                    |                      |                     |                    |
|                 | 3 1/4                    | UCT217-52           | UC217-52                  | <b>84</b><br>18884        | <b>61.9</b><br>13916 | <b>198</b><br>7 25/32 | <b>173</b><br>6 13/16 | <b>29</b><br>1 5/32 | <b>162</b><br>6 3/8   | <b>54</b><br>2 1/8   | <b>73</b><br>2 7/8   | <b>48</b><br>1 7/8 | <b>260</b><br>10 1/4  | <b>124</b><br>4 7/8  | <b>34.1</b><br>1.343 | <b>85.7</b><br>3.374 | <b>157</b><br>6 3/16 | <b>38</b><br>1 1/2 | <b>73</b><br>2 7/8   | <b>30</b><br>1 3/16 | <b>11</b><br>24.3  |
| <b>85</b>       |                          | UCT217              | UC217                     |                           |                      |                       |                       |                     |                       |                      |                      |                    |                       |                      |                      |                      |                      |                    |                      |                     |                    |

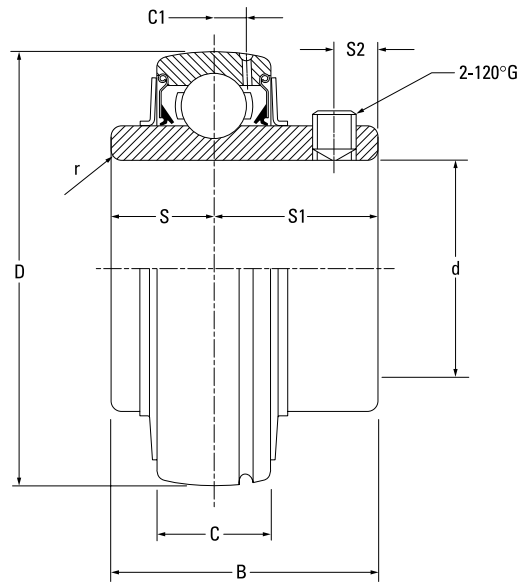
# WIDE INNER RING BALL BEARINGS

## UC INDUSTRIAL SERIES

- The UC wide inner ring ball bearing uses a popular set screw locking mechanism and is suggested for industrial applications where normal loads are encountered.
- The set screw mounting feature is ideal for reversing load applications.
- Bearing prelubricated and ready for immediate installation.
- The wide inner ring provides effective shaft support for a broad range of industrial applications.
- The positive contact of the land-riding bonded nitrile seal helps protect against harmful contaminants and retains lubricant under severe operating conditions.
- An external steel flinger provides additional protection from contamination.
- The UC-series features superfinished raceways, grade-10 balls for smooth running and low noise operation.
- UC-series wide inner ring ball bearings have spherical outside diameters for use in housings with corresponding spherical inside surfaces to compensate for shaft misalignment.

| Shaft Dia.<br>d | Bearing Designation | Basic Load Ratings        |                           | Dimensions  |             |               |              |              |               |               | Min. Fillet Radius<br>r (min.) | Set Screw Size<br>G | Weight     |
|-----------------|---------------------|---------------------------|---------------------------|-------------|-------------|---------------|--------------|--------------|---------------|---------------|--------------------------------|---------------------|------------|
|                 |                     | Dynamic<br>C <sub>r</sub> | Static<br>C <sub>0r</sub> | D           | C           | B             | S2           | C1           | S             | S1            |                                |                     |            |
| mm<br>in.       |                     | kN<br>lbs.                | kN<br>lbs.                | mm<br>in.   | mm<br>in.   | mm<br>in.     | mm<br>in.    | mm<br>in.    | mm<br>in.     | mm<br>in.     | mm<br>in.                      | mm<br>in.           | kg<br>lbs. |
| 12              | UC201               | 12.8<br>2878              | 6.65<br>1495              | 47<br>1.850 | 16<br>0.630 | 31<br>1.220   | 5<br>0.197   | 3.9<br>0.153 | 12.7<br>0.500 | 18.3<br>0.720 | 0.6<br>0.024                   | M6×0.75             | 0.2<br>0.5 |
|                 | 1/2 UC201-8         |                           |                           |             |             |               |              |              |               |               |                                | 1/4-28UNF           |            |
| 15              | UC202               | 12.8<br>2878              | 6.65<br>1495              | 47<br>1.850 | 16<br>0.630 | 31<br>1.220   | 5<br>0.197   | 3.9<br>0.153 | 12.7<br>0.500 | 18.3<br>0.720 | 0.6<br>0.024                   | M6×0.75             | 0.2<br>0.5 |
|                 | 5/8 UC202-10        |                           |                           |             |             |               |              |              |               |               |                                | 1/4-28UNF           |            |
| 17              | UC203               | 12.8<br>2878              | 6.65<br>1495              | 47<br>1.850 | 16<br>0.630 | 31<br>1.220   | 5<br>0.197   | 3.9<br>0.153 | 12.7<br>0.500 | 18.3<br>0.720 | 1<br>0.039                     | M6×0.75             | 0.2<br>0.5 |
|                 | 3/4 UC204-12        |                           |                           |             |             |               |              |              |               |               |                                | 1/4-28UNF           |            |
| 20              | UC204               | 12.8<br>2878              | 6.65<br>1495              | 47<br>1.850 | 16<br>0.630 | 31<br>1.220   | 5<br>0.197   | 3.9<br>0.153 | 12.7<br>0.500 | 18.3<br>0.720 | 1<br>0.039                     | M6×0.75             | 0.2<br>0.5 |
|                 | 7/8 UC205-14        |                           |                           |             |             |               |              |              |               |               |                                | 1/4-28UNF           |            |
| 25              | UC205               | 14<br>3147                | 7.85<br>1765              | 52<br>2.047 | 17<br>0.669 | 34.1<br>1.343 | 5.5<br>0.217 | 4.5<br>0.177 | 14.3<br>0.563 | 19.8<br>0.780 | 1<br>0.039                     | M6×0.75             | 0.2<br>0.5 |
|                 | 15/16 UC205-15      |                           |                           |             |             |               |              |              |               |               |                                | 1/4-28UNF           |            |
|                 | 1 UC205-16          | 19.5<br>4385              | 11.3<br>2540              | 62<br>2.441 | 19<br>0.748 | 38.1<br>1.500 | 6<br>0.236   | 5<br>0.197   | 15.9<br>0.626 | 22.2<br>0.874 | 1<br>0.039                     | 1/4-28UNF           | 0.3<br>0.7 |
|                 | 1 1/8 UC206-18      |                           |                           |             |             |               |              |              |               |               |                                | 1/4-28UNF           |            |
| 30              | UC206               | 19.5<br>4385              | 11.3<br>2540              | 62<br>2.441 | 19<br>0.748 | 38.1<br>1.500 | 6<br>0.236   | 5<br>0.197   | 15.9<br>0.626 | 22.2<br>0.874 | 1<br>0.039                     | M6×0.75             | 0.3<br>0.7 |
|                 | 1 3/16 UC206-19     |                           |                           |             |             |               |              |              |               |               |                                | 1/4-28UNF           |            |
|                 | 1 1/4 UC206-20      | 25.7<br>5778              | 15.4<br>3462              | 72<br>2.835 | 20<br>0.787 | 42.9<br>1.689 | 6.5<br>0.256 | 5.7<br>0.224 | 17.5<br>0.689 | 25.4<br>1.000 | 1.1<br>0.043                   | 1/4-28UNF           | 0.5<br>1.1 |
|                 | 1 1/4 UC207-20      |                           |                           |             |             |               |              |              |               |               |                                | 5/16-24UNF          |            |
|                 | 1 15/16 UC207-21    | 25.7<br>5778              | 15.4<br>3462              | 72<br>2.835 | 20<br>0.787 | 42.9<br>1.689 | 6.5<br>0.256 | 5.7<br>0.224 | 17.5<br>0.689 | 25.4<br>1.000 | 1.1<br>0.043                   | 5/16-24UNF          | 0.5<br>1.1 |
|                 | 1 3/8 UC207-22      |                           |                           |             |             |               |              |              |               |               |                                | 5/16-24UNF          |            |
| 35              | UC207               | 29.1<br>6542              | 17.8<br>4002              | 80<br>3.150 | 21<br>0.827 | 49.2<br>1.937 | 8<br>0.315   | 5.9<br>0.232 | 19<br>0.748   | 30.2<br>1.189 | 1.1<br>0.043                   | M8×1                | 0.7<br>1.5 |
|                 | 1 7/16 UC207-23     |                           |                           |             |             |               |              |              |               |               |                                | 5/16-28UNF          |            |
|                 | 1 1/2 UC208-24      | 29.1<br>6542              | 17.8<br>4002              | 80<br>3.150 | 21<br>0.827 | 49.2<br>1.937 | 8<br>0.315   | 5.9<br>0.232 | 19<br>0.748   | 30.2<br>1.189 | 1.1<br>0.043                   | 5/16-24UNF          | 0.7<br>1.5 |
|                 | 1 9/16 UC208-25     |                           |                           |             |             |               |              |              |               |               |                                | 5/16-24UNF          |            |
| 40              | UC208               | 34.1<br>7666              | 21.3<br>4788              | 85<br>3.346 | 22<br>0.866 | 49.2<br>1.937 | 8<br>0.315   | 6<br>0.236   | 19<br>0.748   | 30.2<br>1.189 | 1.1<br>0.043                   | M8×1                | 0.8<br>1.8 |
|                 | 1 5/8 UC209-26      |                           |                           |             |             |               |              |              |               |               |                                | 5/16-24UNF          |            |
|                 | 1 11/16 UC209-27    | 34.1<br>7666              | 21.3<br>4788              | 85<br>3.346 | 22<br>0.866 | 49.2<br>1.937 | 8<br>0.315   | 6<br>0.236   | 19<br>0.748   | 30.2<br>1.189 | 1.1<br>0.043                   | 5/16-24UNF          | 0.8<br>1.8 |
|                 | 1 3/4 UC209-28      |                           |                           |             |             |               |              |              |               |               |                                | 5/16-24UNF          |            |
| 45              | UC209               |                           |                           |             |             |               |              |              |               |               |                                | M8×1                |            |

Continued on next page.



Continued from previous page.

| Shaft Dia.<br>d | Bearing Designation | Basic Load Ratings        |                           | Dimensions   |             |               |               |               |               |               |              | Min. Fillet Radius<br>r (min.) | Set Screw Size<br>G | Weight     |
|-----------------|---------------------|---------------------------|---------------------------|--------------|-------------|---------------|---------------|---------------|---------------|---------------|--------------|--------------------------------|---------------------|------------|
|                 |                     | Dynamic<br>C <sub>r</sub> | Static<br>C <sub>0r</sub> | D            | C           | B             | S2            | C1            | S             | S1            |              |                                |                     |            |
| mm<br>in.       |                     | kN<br>lbs.                | kN<br>lbs.                | mm<br>in.    | mm<br>in.   | mm<br>in.     | mm<br>in.     | mm<br>in.     | mm<br>in.     | mm<br>in.     | mm<br>in.    | mm<br>in.                      | mm<br>in.           | kg<br>lbs. |
| 50              | 1 7/8 UC210-30      | 35.1<br>7891              | 23.3<br>5238              | 90<br>3.543  | 24<br>0.945 | 51.6<br>2.031 | 9<br>0.354    | 6<br>0.236    | 19<br>0.748   | 32.6<br>1.283 | 1.1<br>0.043 | 3/8-24UNF                      | 0.9                 |            |
|                 | 1 15/16 UC210-31    |                           |                           |              |             |               |               |               |               |               |              | 3/8-24UNF                      |                     |            |
|                 | UC210               |                           |                           |              |             |               |               |               |               |               |              | M10x1.25                       |                     |            |
| 55              | 2 UC210-32          | 43.4<br>9757              | 29.4<br>6609              | 100<br>3.937 | 25<br>0.984 | 55.6<br>2.189 | 9<br>0.354    | 7<br>0.276    | 22.2<br>0.874 | 33.4<br>1.315 | 1.5<br>0.059 | 3/8-24UNF                      | 1.3                 |            |
|                 | 2 UC211-32          |                           |                           |              |             |               |               |               |               |               |              | 3/8-24UNF                      |                     |            |
|                 | 2 1/8 UC211-34      |                           |                           |              |             |               |               |               |               |               |              | 3/8-24UNF                      |                     |            |
| 60              | 2 3/16 UC211-35     | 52.4<br>11780             | 36.2<br>8138              | 110<br>4.331 | 27<br>1.063 | 65.1<br>2.563 | 10.5<br>0.413 | 7.4<br>0.291  | 25.4<br>1.000 | 39.7<br>1.563 | 1.5<br>0.059 | M10x1.25                       | 1.7                 |            |
|                 | UC211               |                           |                           |              |             |               |               |               |               |               |              | 3/8-24UNF                      |                     |            |
|                 | 2 1/4 UC212-36      |                           |                           |              |             |               |               |               |               |               |              | 3/8-24UNF                      |                     |            |
| 65              | 2 3/8 UC212-38      | 57.2<br>12859             | 40.1<br>9015              | 120<br>4.724 | 28<br>1.102 | 65.1<br>2.563 | 12<br>0.472   | 7.5<br>0.295  | 25.4<br>1.000 | 39.7<br>1.563 | 1.5<br>0.059 | 1/2-20UNF                      | 1.9                 |            |
|                 | 2 7/16 UC212-39     |                           |                           |              |             |               |               |               |               |               |              | M12x1.5                        |                     |            |
|                 | UC213               |                           |                           |              |             |               |               |               |               |               |              | 4.3                            |                     |            |
| 70              | 2 1/2 UC213-40      | 62.2<br>13983             | 44.1<br>9914              | 125<br>4.921 | 30<br>1.181 | 74.6<br>2.937 | 12<br>0.472   | 9<br>0.354    | 30.2<br>1.189 | 44.4<br>1.748 | 1.5<br>0.059 | 1/2-20UNF                      | 2.1                 |            |
|                 | UC214               |                           |                           |              |             |               |               |               |               |               |              | M12x1.5                        |                     |            |
|                 | 2 15/16 UC215-47    |                           |                           |              |             |               |               |               |               |               |              | 1.5                            |                     |            |
| 75              | UC215               | 67.4<br>15152             | 48.3<br>10858             | 130<br>5.118 | 32<br>1.260 | 77.8<br>3.063 | 12<br>0.472   | 9<br>0.354    | 33.3<br>1.311 | 44.5<br>1.752 | 1.5<br>0.059 | 1/2-20UNF                      | 2.2                 |            |
|                 | 3 UC215-48          |                           |                           |              |             |               |               |               |               |               |              | M12x1.5                        |                     |            |
|                 | 3 1/8 UC216-50      |                           |                           |              |             |               |               |               |               |               |              | 1/2-20UNF                      |                     |            |
| 80              | UC216               | 72.7<br>16344             | 53<br>11915               | 140<br>5.512 | 33<br>1.299 | 82.6<br>3.252 | 14<br>0.551   | 8.9<br>0.350  | 33.3<br>1.311 | 49.3<br>1.941 | 2<br>0.079   | 1/2-20UNF                      | 2.8                 |            |
|                 | UC216-52            |                           |                           |              |             |               |               |               |               |               |              | M12x1.5                        |                     |            |
|                 | 3 1/4 UC217-52      |                           |                           |              |             |               |               |               |               |               |              | 1/2-20UNF                      |                     |            |
| 85              | UC217               | 84<br>18884               | 61.9<br>13916             | 150<br>5.906 | 35<br>1.378 | 85.7<br>3.374 | 14<br>0.551   | 9.8<br>0.386  | 34.1<br>1.343 | 51.6<br>2.031 | 2<br>0.079   | 1/2-20UNF                      | 3.7                 |            |
|                 | UC218-56            |                           |                           |              |             |               |               |               |               |               |              | M12x1.5                        |                     |            |
|                 | 3 1/2 UC218         |                           |                           |              |             |               |               |               |               |               |              | 1/2-20UNF                      |                     |            |
| 90              | UC218               | 96.1<br>21604             | 71.5<br>16074             | 160<br>6.299 | 38<br>1.496 | 96<br>3.780   | 15<br>0.591   | 11.1<br>0.437 | 39.7<br>1.563 | 56.3<br>2.217 | 2<br>0.079   | 1/2-20UNF                      | 4.5                 |            |
|                 |                     |                           |                           |              |             |               |               |               |               |               |              | M12x1.5                        |                     |            |

# TIMKEN OFFERS A WIDE RANGE OF HOUSED UNITS THAT HANDLE DEMANDING INDUSTRIAL OPERATIONS

## INDUSTRIES AND APPLICATIONS

- Power Generation (Coal)
- Mining
- Aggregate/Cement
- Metal Mills
- Pulp and Paper/Sawmills/Forestry
- Water Treatment
- Food and Beverage Processing
- Warehousing
- Movable Bridges/Structures
- Industrial Fans/Blowers

Timken offers a full line of split- and solid-block housed units for every type of equipment. Easily interchangeable with industry standard designs, the Timken global distribution network makes it easy to get Timken products anywhere in the world – fast.



**SNT PLUMMER BLOCKS**  
**Customizable Solution,  
 Uptime Efficiency**

Timken® SNT Plummer Blocks provide excellent bearing protection with cast-iron housings and a variety of sealing options to help keep grease in and contamination out.



**SAF PILLOW BLOCKS**  
**Optimal Load Capacity,  
 Extended Service Life**

Timken® SAF Pillow Block split-block housed units combine high-performance spherical roller bearings with strong housings to meet the challenges of heavy industry.



**SPHERICAL ROLLER BEARING SOLID-BLOCK HOUSED UNITS**  
**Heavy-duty Protection,  
 High Performance**

Timken® spherical roller bearing solid-block housed units feature rugged cast steel housings, precision-made bearings, and a wide range of shaft-locking options and durable seals. Tough enough to handle extremely harsh conditions.



**TYPE E TAPERED ROLLER BEARING HOUSED UNITS**  
**Improved Reliability,  
 Enhanced Performance**

Timken® Type E tapered roller bearing housed units offer a significantly longer design life compared to current industry-leading designs utilizing standard Timken bearings.

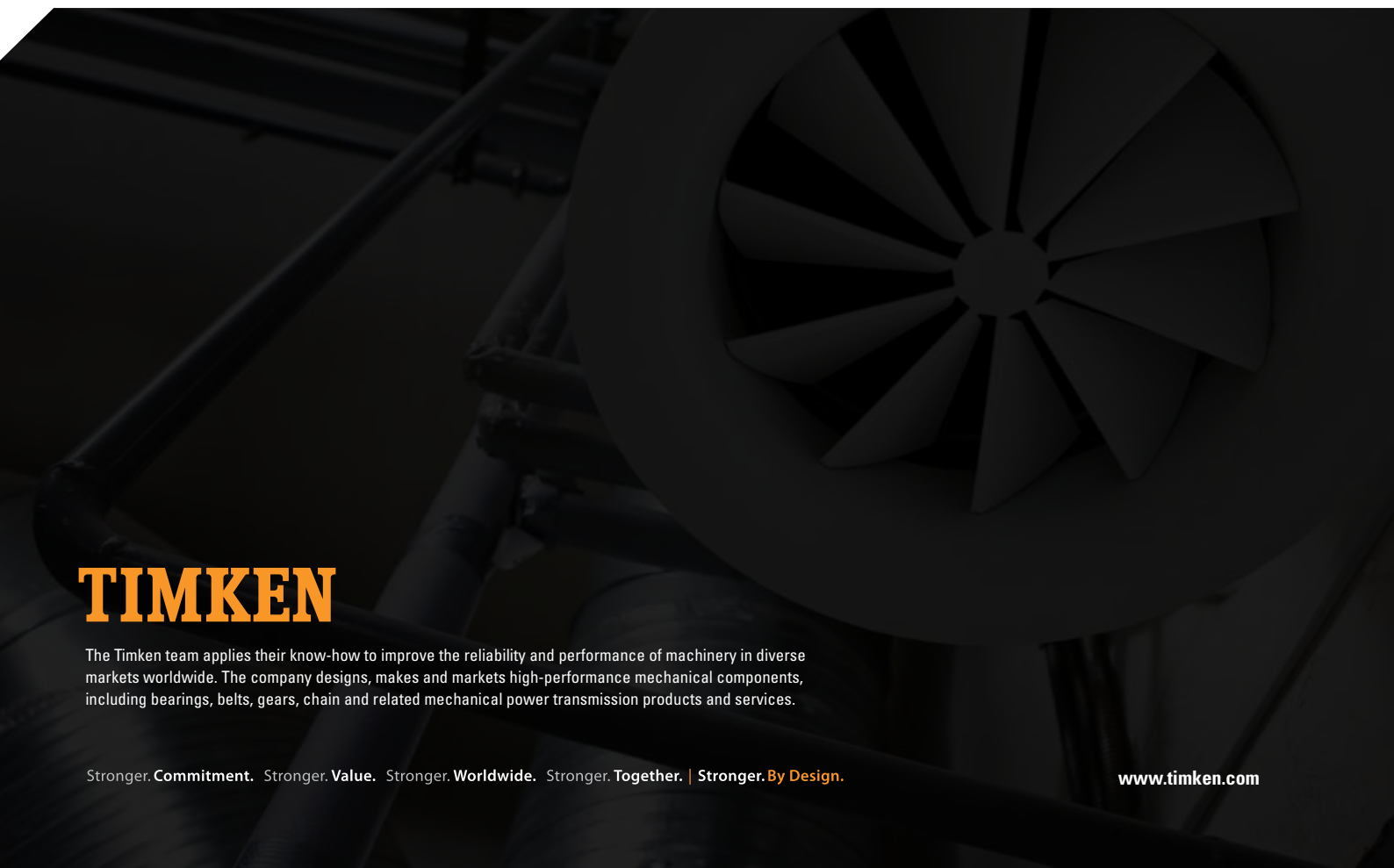


**BALL BEARING HOUSED UNITS**  
**Easy Installation,  
 Flexible Options**

Timken® ball bearing housed units are available in a wide variety of types and sizes to accommodate a complete range of industrial applications and operating conditions.

## CALL ON TIMKEN

For your nearest Timken sales representative,  
visit [www.timken.com](http://www.timken.com).



# TIMKEN

The Timken team applies their know-how to improve the reliability and performance of machinery in diverse markets worldwide. The company designs, makes and markets high-performance mechanical components, including bearings, belts, gears, chain and related mechanical power transmission products and services.

Stronger. Commitment. Stronger. Value. Stronger. Worldwide. Stronger. Together. | Stronger. By Design.

[www.timken.com](http://www.timken.com)